



#### 特点 Features

- 静音 Silent
- 无泄漏 No leakage
- 免维护 Maintenance-free
- 无过载 No overload
- 空调系统针对性设计
- Targeted design for air conditioning system

#### 应用领域 Application areas

- 空调冷却水循环
- Air conditioning cooling water circulation
- 空调冷冻水/热水循环
- Air conditioning chilled water/hot water circulation
- 工业设备冷却
- Industrial equipment cooling
- 工业流程系统
- Industrial process system

#### 选型范围 Selection range

- 流量: 2~2000m<sup>3</sup>/h
- Flow rate: 2~2000m<sup>3</sup>/h
- 扬程: 5~90m
- Head: 5~90m
- 功率: 0.55~315kW
- Power: 0.55~315kW
- 口径: DN25~DN400
- Diameter: DN25~DN400

#### 工作条件 Working conditions

- 主要输送清水或物理化学性质类似于水的其它介质
- Mainly transport clean water or other media with physical and chemical properties similar to water
- 输液温度: ≤60℃ 系统压力: ≤1.6MPa
- Infusion temperature: ≤60℃
- System pressure: ≤1.6MPa

- 特殊工况系统, 请联系清华创科提供个性化定制
- For special working conditions, please contact TQ Group for personalized customization

上海天泉泵业集团有限公司  
SHANGHAI TIANQUAN PUMP GROUP CO., LTD.

电子邮箱(Email): inquiry@tqpumps.com  
地址(Address): 上海市青浦区华新镇嘉松中路3568号35  
Jiasong Middle Road, Huaxin Town, Qingpu District, Shanghai  
邮编(Zip code): 201705  
网址 (Website): www.shtqumps.com

VIP LINE: 400-166-8686



关注天泉集团微信公众号  
获取更多信息

## 为什么要选择 Why choose

### TPG (TPS) 静音型屏蔽式空调循环专用泵?

### TPG (TPS) silent shielded air conditioning circulation pump?

在下列情况下，建议您优先选择：

In the following cases, it is recommended that you give priority to it:

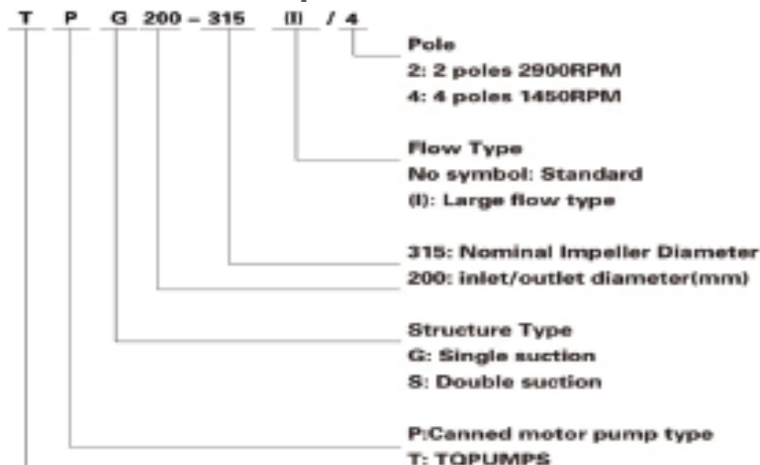
- 环境对泵噪声和振动要求比较高。
- The environment has high requirements for pump noise and vibration.
- 不希望泵出现跑、冒、滴、漏现象
- Do not want the pump to run, bubble, drip, or leak
- 不希望经常维护保养。
- Do not want frequent maintenance.
- 实际运行工况偏离设计工况，电泵易过载损坏。
- The actual operating conditions deviate from the design conditions, and the electric pump is prone to overload and damage.

她为您提供以下立竿见影的优点：

She provides you with the following immediate advantages:

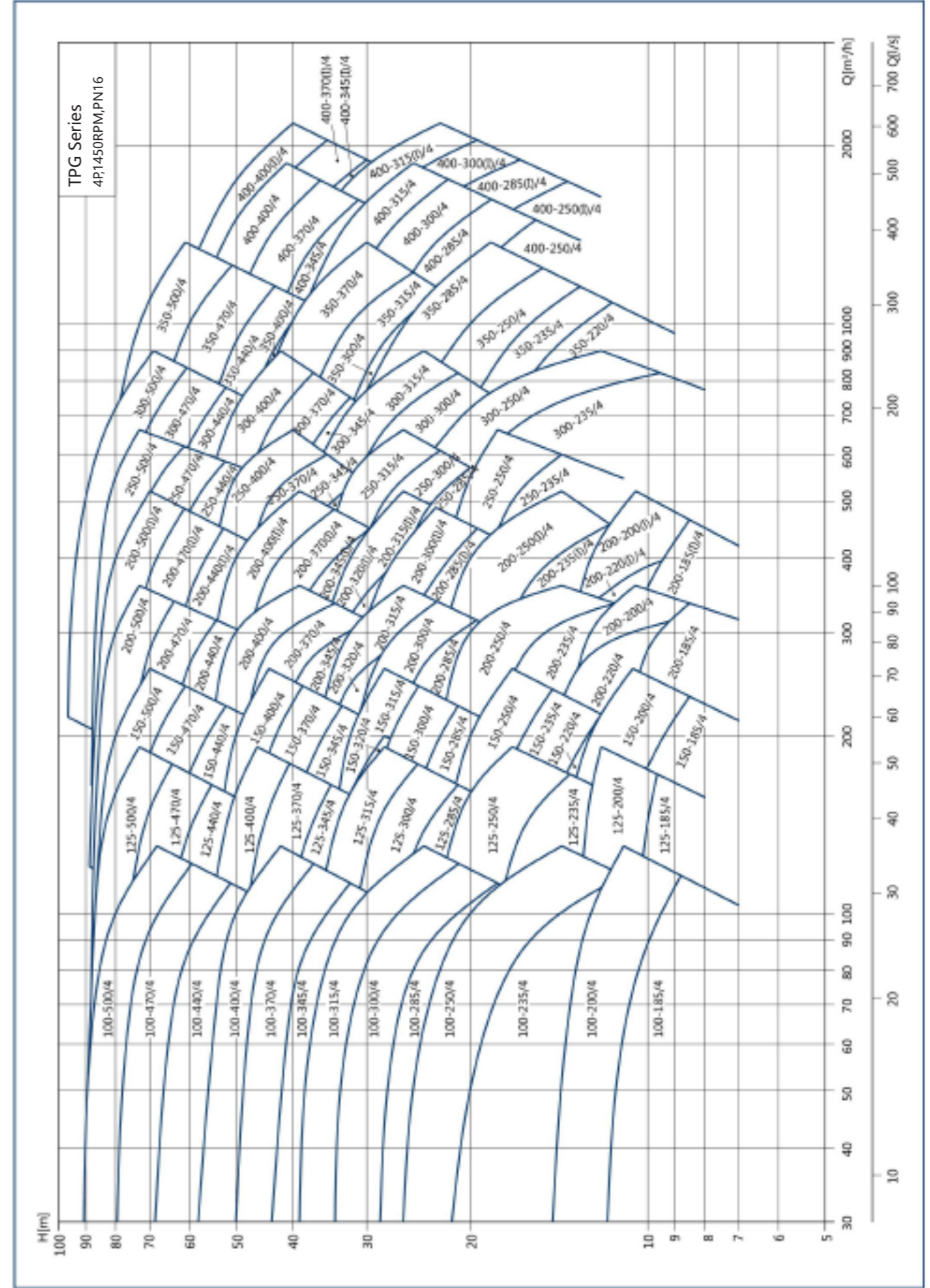
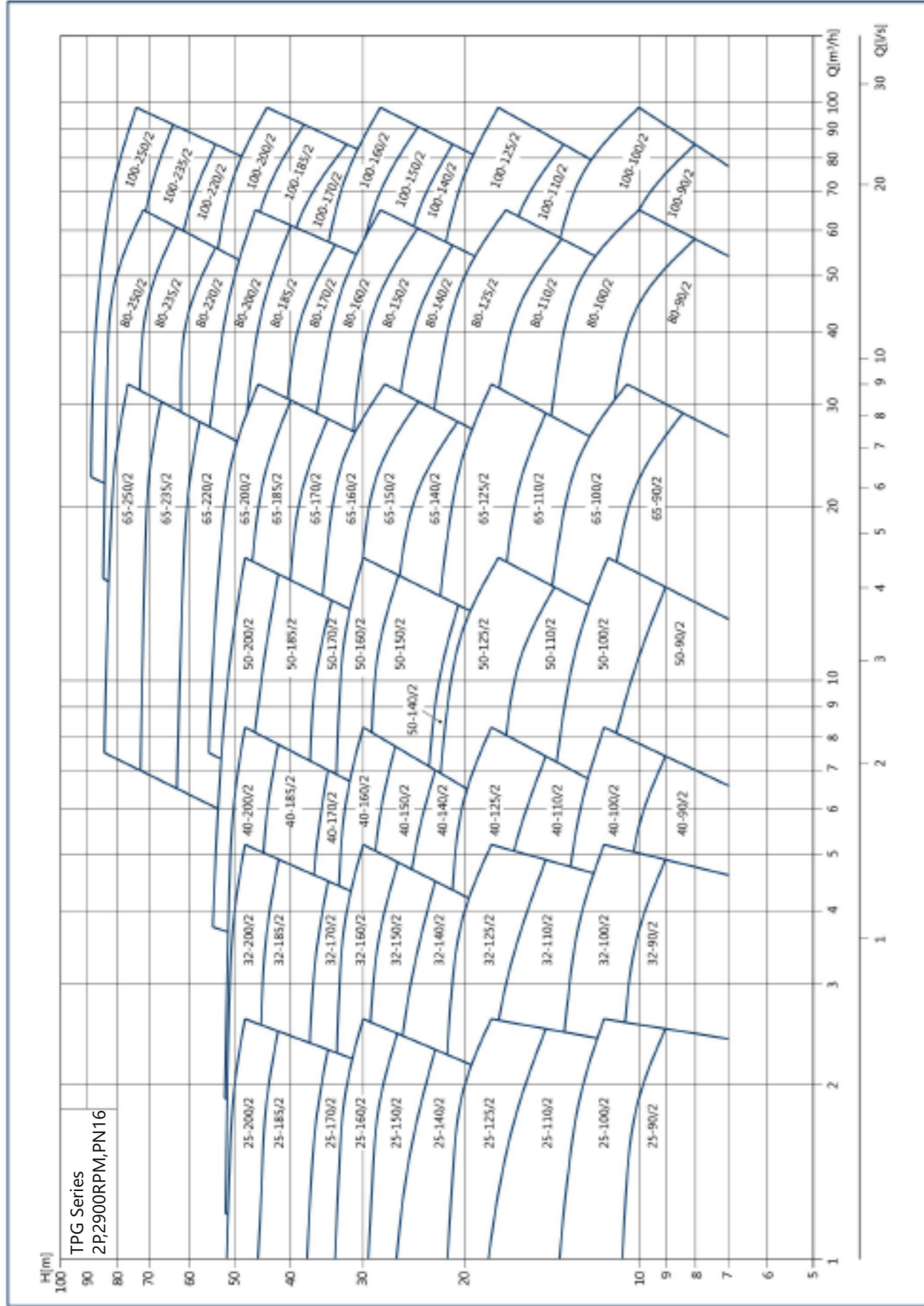
- 开创水泵静音新纪元，挑战您的听觉。
- Create a new era of silent water pumps and challenge your hearing.
- 终身滴水不漏，泵房干爽整洁。
- No leakage for life, and the pump room is dry and tidy.
- 无需维护保养，轻松使用。
- No maintenance required, easy to use.
- 无过载设计，满足全工况运行。
- No overload design, meeting all working conditions.

### 型号说明 Model Description



## / INDEX

性能范围 Characteristic Range .....	01
结构及主要部件 Structure and main part .....	03
个性化选择 Personalization .....	05
安装方式 Installation .....	06
最小进口压力 Minimum Inlet Pressure .....	07
TPG25 系列 Series .....	09
TPG32 Series .....	11
TPG40 Series .....	13
TPG50 Series .....	15
TPG65 Series .....	17
TPG80 Series .....	19
TPG100-2P Series .....	21
TPG100-4P Series .....	23
TPG125 Series .....	25
TPG150 Series .....	27
TPG200 Series .....	29
TPG200-(1) Series .....	31
TPG250 Series .....	33
TPG300 Series .....	35
TPG350 Series .....	37
TPG400 Series .....	39
TPG400-(1)Series .....	41



### 产品概述 Product description:

TPG(TPS) 静音型屏蔽式空调循环专用泵是针对目前市场上水泵普遍存在噪声过大、振动大、易漏水，而影响了人们正常的工作与生活环境的理想解决方案。因而对泵和电机进行了一体化设计，把泵腔与电机制成一个密封的整体。

**一方面：**减去了普通水泵的主要易损件机械密封(轴封),从而彻底解决了水泵因轴封(动密封)损坏而漏水的难题，因而使本泵滴水不漏，泵房干净整洁。

**二方面：**去掉了滚动轴承，采用浸渍石墨材质制成的滑动轴承，具有摩擦系数小、自润滑性能好、高耐磨，采用输送介质润滑，因而整机呈静音设计，低噪声运行，同时还省略了对轴承的定期加油和保养费用。

**三方面：**针对空调循环系统工况进行针对性无过载设计，确保泵在全性能范围内运行的稳定性。

另外：对叶轮采用了悬浮式设计，使转子在运转中始终处于悬浮状态，降低了转子对石墨轴承的轴向磨损，从而使石墨轴承的使用寿命成倍增加，可以达到4万个小时以上。因此我们承诺三年免保养，从而大大降低了工人的劳动强度和运行成本，实为空调和其他循环系统理想的高品质产品

TPG (TPS) silent shielded air conditioning circulation pump is an ideal solution for the common problems of excessive noise, large vibration, and easy leakage in the water pumps on the market, which affect people's normal work and living environment.

Therefore, the pump and motor are designed to be integrated, and the pump chamber and the motor are made into a sealed whole.

On the one hand: the main vulnerable parts of ordinary water pumps, the mechanical seal (shaft seal), are removed, thus completely solving the problem of water pumps leaking due to damage to the shaft seal (dynamic seal), so that this pump is leak-proof and the pump room is clean and tidy.

On the other hand: the rolling bearing is removed, and the sliding bearing made of impregnated graphite material is used, which has a small friction coefficient, good self-lubricating performance, high wear resistance, and is lubricated by the conveying medium. Therefore, the whole machine is designed to be silent and runs with low noise, and the regular refueling and maintenance costs of the bearings are omitted.

On the third hand: targeted non-overload design is carried out for the working conditions of the air conditioning circulation system to ensure the stability of the pump in the full performance range.

In addition, the impeller adopts a suspended design, so that the rotor is always in a suspended state during operation, reducing the axial wear of the rotor on the graphite bearing, thereby doubling the service life of the graphite bearing to more than 40,000 hours. Therefore, we promise three

### 主要零件材质 Main Components and Material

品名 Product name	轴承座 Bearing Base	机座 Machine base	轴 Shaft	轴承 Bearing	推力板Thrust plate 轴套shaft sleeve	屏蔽套 Shielding sleeve	联接盘 Coupling plate	泵体 Pump case	叶轮 Impeller	底座 Base plate
标配 Standard	铸铁 cast iron HT200	铸铁 cast iron HT200	钢Steel 45#	石墨浸渍树脂 Graphite impregnated resin	AIS1304喷涂 司太立合金 Spraying Stellite alloy	AIS1304	铸铁 cast iron HT200	铸铁 cast iron HT200	铸铁 cast iron HT200	铸铁 cast iron HT200
可选 Selection	球铁 ductile iron QT400-18	球铁 ductile iron QT400-18	Steel 14Cr17Ni2	石墨浸渍树脂 Graphite impregnated resin	AIS1304喷涂 司太立合金 Spraying Stellite alloy	AIS1304	球铁 ductile iron QT400-18	球铁 ductile iron QT400-18	球铁 ductile iron QT400-18	球铁 ductile iron QT400-18

备注：零件材质可根据用户需要进行选配，详情咨询天泉集团。Note: The material of parts can be selected according to user needs. Please consult TQ Group for details.

### 产品特点 Features

#### 特点1:确保无泄漏 Feature 1: Ensure no leakage

电机与泵一体化设计、取消机械密封  
Integrated design of motor and pump, elimination of mechanical seal

采用水冷屏蔽电机，进行泵机整体设计，使泵机同轴联接，构成一个密封整体。从而取消了易磨损且价格昂贵的机械密封，则真正使泵做到整体完全无泄漏，既避免了水资源的浪费，又使泵房干净整洁，大大改善了泵房的工作环境。

The water-cooled shielded motor is used to design the pump as a whole, so that the pump is coaxially connected to form a sealed whole. Thus, the mechanical seal that is easy to wear and expensive is eliminated, which truly makes the pump completely leak-free as a whole, avoiding the waste of water resources and making the pump room dry and tidy, greatly improving the working environment of the pump room.

#### 特点2:杜绝介质腐蚀 Feature 2: Eliminate medium corrosion

定子与转子采用不锈钢封焊  
The stator and rotor are sealed with stainless steel

电机的定子内表面与转子的外表面采用优质不锈钢屏蔽套封焊，使定子绕组和转子铁芯与介质完全隔离，不会受到介质侵蚀。  
The inner surface of the stator and the outer surface of the rotor of the motor are sealed with high-quality stainless steel shielding sleeves. The stator winding and the rotor core are completely isolated from the medium and will not be corroded by the medium.

#### 特点3:无需维护保养 Feature 3: Maintenance-free

自润滑性的石墨滑动轴承  
Self-lubricating graphite sliding bearings

实验证明一般在相同转速和相同加工精度下，石墨滑动轴承所产生噪声只相当于滚珠轴承30%。采用树脂浸渍石墨轴承具有耐高温、耐摩擦和耐腐蚀的特点，使用寿命长。并且石墨轴承利用所输介质进行自润滑无须人工加油，降低了维护成本。  
Experiments have shown that under the same speed and processing accuracy, the noise generated by graphite sliding bearings is only 30% of that of ball bearings. The resin-impregnated graphite bearings are resistant to high temperatures, friction and corrosion, and have a long service life. In addition, graphite bearings use the input medium for self-lubrication without manual refueling, which reduces maintenance costs.

#### 特点4:高耐磨 Feature 4: High wear resistance

“司太立Ni60硬质合金堆焊”技术  
“Stellite Ni60 hard alloy surfacing” technology

轴套与推力板的摩擦面采用“司太立Ni60硬质合金堆焊”技术，形成高耐磨的摩擦副，安全耐用。  
The friction surface of the sleeve and thrust plate adopts "Stellite Ni60 hard alloy surfacing" technology to form a highly wear-resistant friction pair, which is safe and durable.

#### 特点5:静音设计，抗过载 Feature 5: Silent design, anti-overload

定、转子冷轧片模压成型，H级绝缘  
Stator and rotor cold-rolled sheet die-casting, H-class insulation

定、转子采用高品质冷轧硅钢片模压成型，结合优秀的电磁优化静音设计技术，使电机的噪声更加降低；绕组采用H级耐高温绝缘，使电机的允许温升K值更高，可以有效防止由于水泵运行过载对电机造成的损坏，大大延长了电机的使用寿命及可靠性。  
The stator and rotor are made of high-quality cold-rolled silicon steel sheets, combined with excellent electromagnetic optimized silent design technology, the noise of the motor is further reduced; the winding adopts H-class high-temperature insulation, which makes the allowable temperature rise K value of the motor higher, which can effectively prevent the damage to the motor caused by overload of the water pump operation, and greatly prolong the service life and reliability of the motor.

#### 特点6:超静音设计，出乎您的想象

Feature 6: Ultra-quiet design, beyond your imagination  
湿转子、水冷电机 Wet rotor, water-cooled motor

采用水冷电机后，取消了水泵的一个主要噪声源于高速冷却风扇，同时转子、轴承等所有转动部件外围充满水，产生的声音经过水的阻隔后进一步降低。  
After adopting the water-cooled motor, the main noise source of the water pump, the high-speed cooling fan, is eliminated. At the same time, the periphery of all rotating parts such as the rotor and bearings is filled with water, and the noise generated is further reduced after being blocked by water.

#### 特点7:适合各种户外环境

Feature 7: Suitable for various outdoor environments  
全密封IP55防护等级，Wet rotor, water-cooled motor

采用高分子材料制成的专利技术全密封防护接线盒，能有效保护电机全密封性，具抗照、冷热、风雨、细菌等良好的耐候性，可使电泵从容应对室外安装环境。  
The patented fully sealed protective junction box made of polymer materials can effectively protect the motor's full sealing and has good weather resistance to light, heat, cold, wind, rain, bacteria, etc., allowing the electric pump to calmly cope with outdoor installation environments.

#### 特点8:极长使用寿命 Feature 8: Long service life

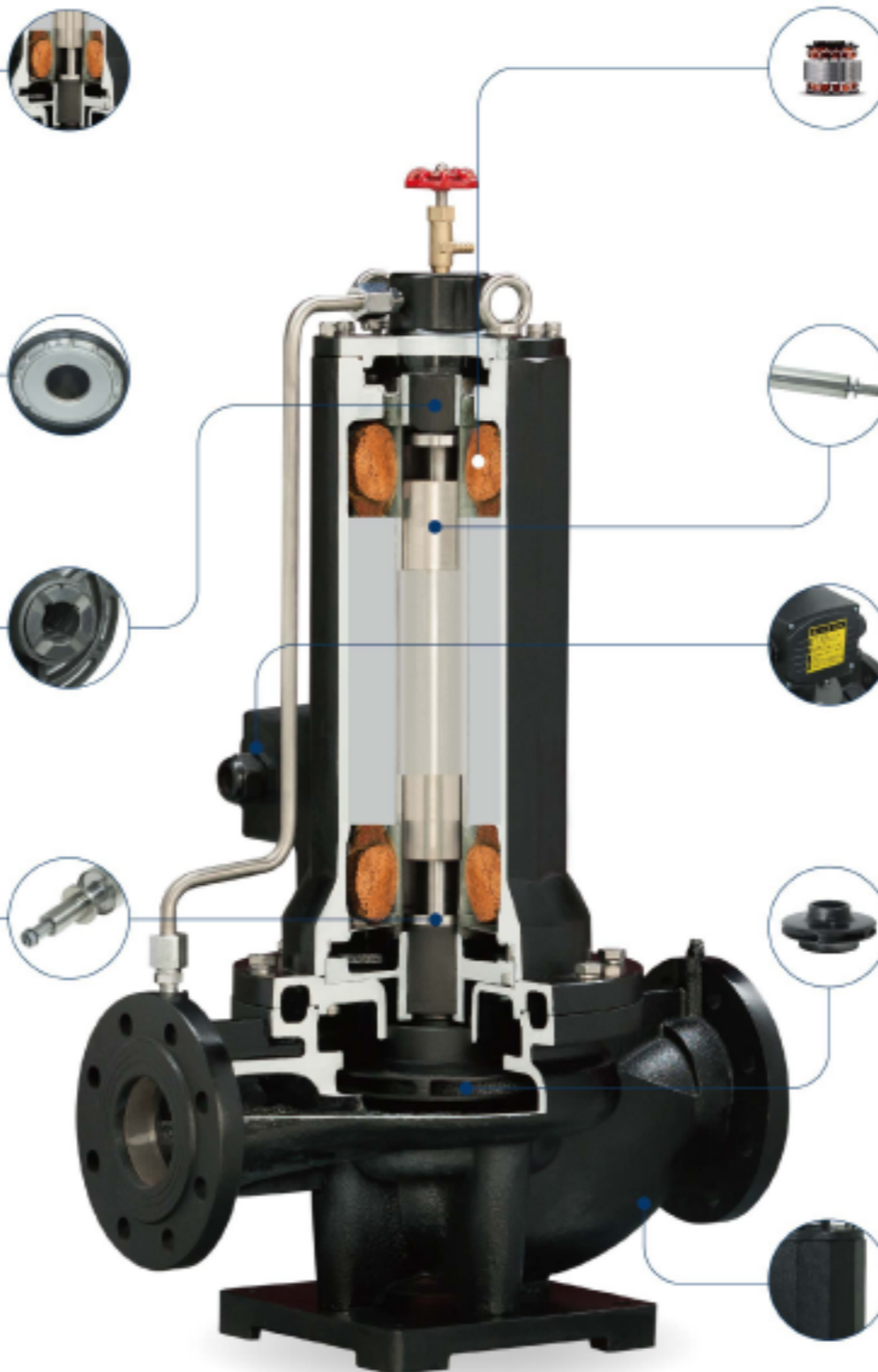
悬浮式叶轮技术 Suspended impeller technology

采用独特的“悬浮式叶轮”技术，使水泵启动数秒后，石墨轴承与推力板的轴向磨损面自动进入反轴向磨损的工作状态，再配以推力板的“司太立Ni60硬质合金堆焊”技术使天泉集团屏蔽电泵石墨轴承寿命在连续运转工况下，长达4万小时。  
The unique "suspended impeller" technology enables the axial wear surface of the graphite bearing and the thrust plate to automatically enter the working state of anti-axial wear a few seconds after the water pump is started. Combined with the "Stellite Ni60 hard alloy surfacing" technology of the thrust plate, the life of the graphite bearing of TQ Group shielded electric pump can reach 40,000 hours under continuous operation conditions.

#### 特点9:外观历久弥新 Feature 9: The appearance is timeless

“船壳漆”涂装技术 "Hull paint" coating technology

电泵表面采用“船壳漆”喷涂工艺，体验“轮船级”的防护等级。采用重防腐“船壳漆”进行涂装防护，从容应对泵房潮湿环境，具有良好的保色性和耐候性，使电泵历久弥新。  
The surface of the electric pump adopts the "hull paint" spraying process, and the protection level of "ship level" is experienced. The heavy anti-corrosion "hull paint" is used for coating protection, which can calmly cope with the humid environment of the pump room, has good color retention and weather resistance, and makes the electric pump last longer.





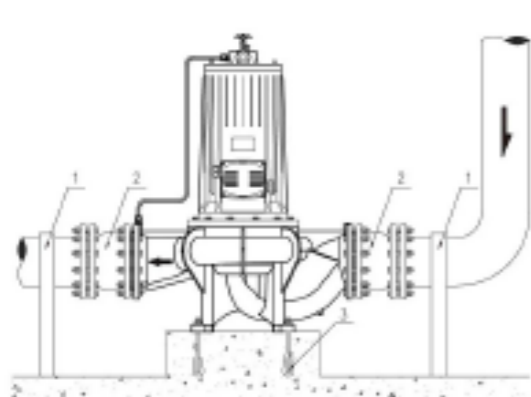
# INSTALLATION 安装方式

## 机房

- 位置：安装在地下室、地面或屋顶。
- 通风：通风不良将导致机房潮湿而腐蚀电泵。 排水：保持设备基础处于机房较高位置。
- 温度：控制在5°C以上(环境最高温度没有限制),过低则在电泵 停机时会造成管路冻裂。
- 湿度：控制在85%以下, 过高将影响电气绝缘。
- 设备维护空间：前、后、左、右侧应留有≥500mm的维护空间, 上侧应留有≥1500mm的维护空间。

## 基础

- 基础高度应不低于200mm,基础尺寸详情请参见P10-P42页相应规格 水泥基础尺寸
- 基础必须平整结实, 确保不会下沉或超载(设备置于楼顶)
- 地脚螺栓：根据机组底座安装尺寸预埋地脚螺栓或装膨胀螺栓。
- 硬性安装：为避免因水泥基础的局部不平整造成的振动, 在机组底座和水泥基础间可选装设橡胶减振垫(非减振器)以补偿不平整度。
- 柔性安装：电泵应安装在平坦、坚固的混凝土底座上, 这是减振的最佳解决方案。混凝土底座的重量应为电泵整机重量的1.5倍以上。(混凝土底座尺寸可自行计算, 混凝土密度取2400kg/m<sup>3</sup>)



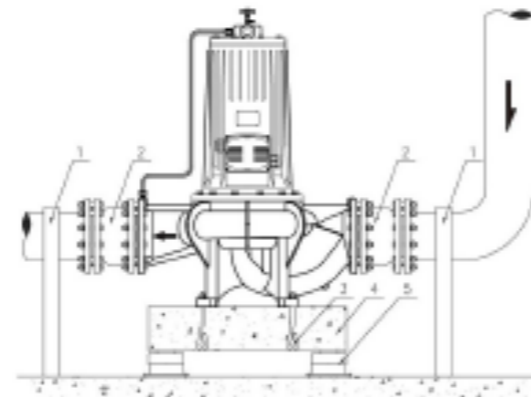
硬性安装示意图  
Schematic diagram of rigid installation

## Machine room

- Location: Install in the basement, on the ground or on the roof.
- Ventilation: Poor ventilation will cause the machine room to be damp and corrode the electric pump.
- Drainage: Keep the equipment foundation at a higher position in the machine room.
- Temperature: Control above 5°C (there is no limit on the maximum ambient temperature). If it is too low, the pipeline will freeze and crack when the electric pump stops.
- Humidity: Control below 85%. Too high will affect electrical insulation.
- Equipment maintenance space: There should be ≥500mm maintenance space on the front, back, left and right sides, and ≥1500mm maintenance space on the upper side.

## Foundation

- The foundation height should not be less than 200mm. For details of the foundation size, please refer to the corresponding specifications of cement foundation size on pages P10-P42
- The foundation must be flat and solid to ensure that it will not sink or be overloaded (the equipment is placed on the roof)
- Anchor bolts: Pre-embed anchor bolts or install expansion bolts according to the installation size of the unit base.
- Hard installation: To avoid vibration caused by local unevenness of the cement foundation, a rubber vibration-damping pad (not a vibration damper) can be optionally installed between the unit base and the cement foundation to compensate for the unevenness.
- Flexible installation: The electric pump should be installed on a flat, solid concrete base, which is the best solution for vibration reduction. The weight of the concrete base should be more than 1.5 times the weight of the entire electric pump. (The size of the concrete base can be calculated by yourself, and the concrete density is 2400kg/m<sup>3</sup>)



柔性安装示意图  
Schematic diagram of flexible installation

## 管路系统

- 在水泵的泵体上标明有水流的方向。
- 与电泵连接的管道尺寸必须大于或等于电泵进、出口直径。管道必须固定, 不能受力在电泵上。
- 为了减少管路噪音、振动和变形, 应在电泵的入口和出口各装一个橡胶软接头。



伸缩挠性接头 Flexible joint

## 电气安装

- 电气控制柜可以根据用户需要而选择是否与水泵安装在一起, 也可安装于电气系统集中控制区。
- 变频运行时, 建议变频器与电机距离应控制在20米内。电气安装必须由国家规定持证人员进行安装。

## 特别提醒:

- 由于静音型屏蔽管道泵采用的是水润滑和水冷屏蔽电机, 因此在 水泵内部未充满水前, 严禁通电试车!
- 特殊安装场合, 请咨询天泉集团。
- 特殊安装场合, 请咨询天泉集团

## Pipeline system

- The direction of water flow is marked on the pump body.
- The size of the pipe connected to the electric pump must be greater than or equal to the inlet and outlet diameters of the electric pump.
- The pipe must be fixed and cannot be stressed on the electric pump.
- In order to reduce pipeline noise, vibration and deformation, a rubber flexible joint should be installed at the inlet and outlet of the electric pump.

## Electrical installation

- The electrical control cabinet can be installed with the water pump according to user needs, or it can be installed in the centralized control area of the electrical system.
- During variable frequency operation, it is recommended that the distance between the inverter and the motor should be controlled within 20 meters. Electrical installation must be installed by certified personnel specified by the state.

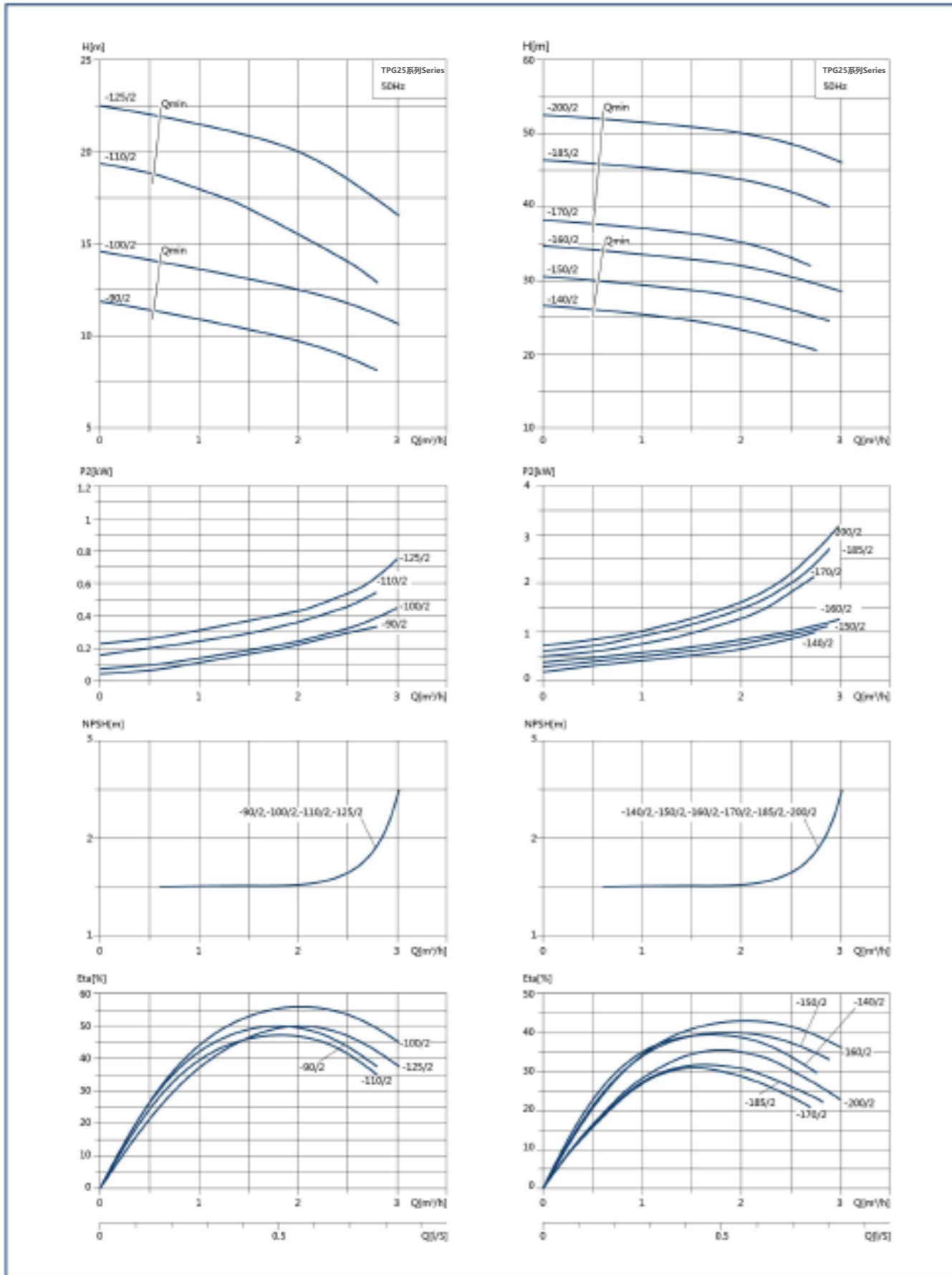
## Special reminder:

- Since the silent shielded pipeline pump uses a water-lubricated and water-cooled shielded motor, it is strictly forbidden to power on the test run before the pump is filled with water!
- For special installation occasions, please consult TQ Group

序号 Number	1	2	3	4	5
描述 Description	管道支架 Pipe support	伸缩挠性接头 flexible joint	地脚螺栓或膨胀螺栓 Anchor bolt or expansion bolt	混凝土底座 Concrete base	减振器 Vibration damper



## 性能曲线 Characteristic Curves



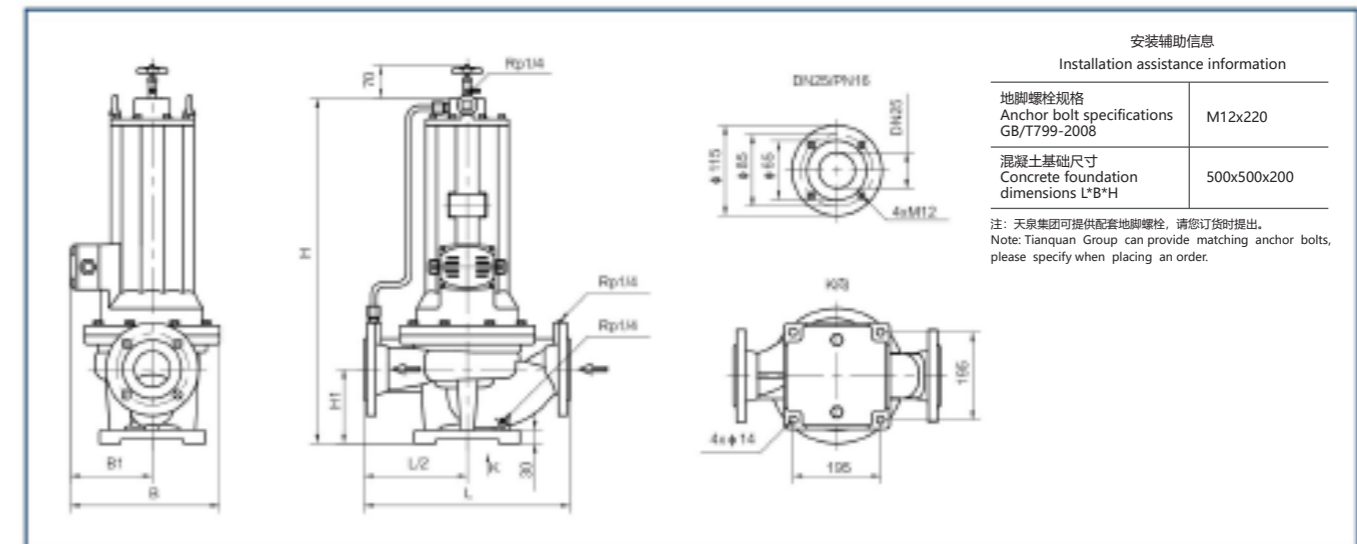
## 性能参数 Parameters Table

## 尺寸 Dimension

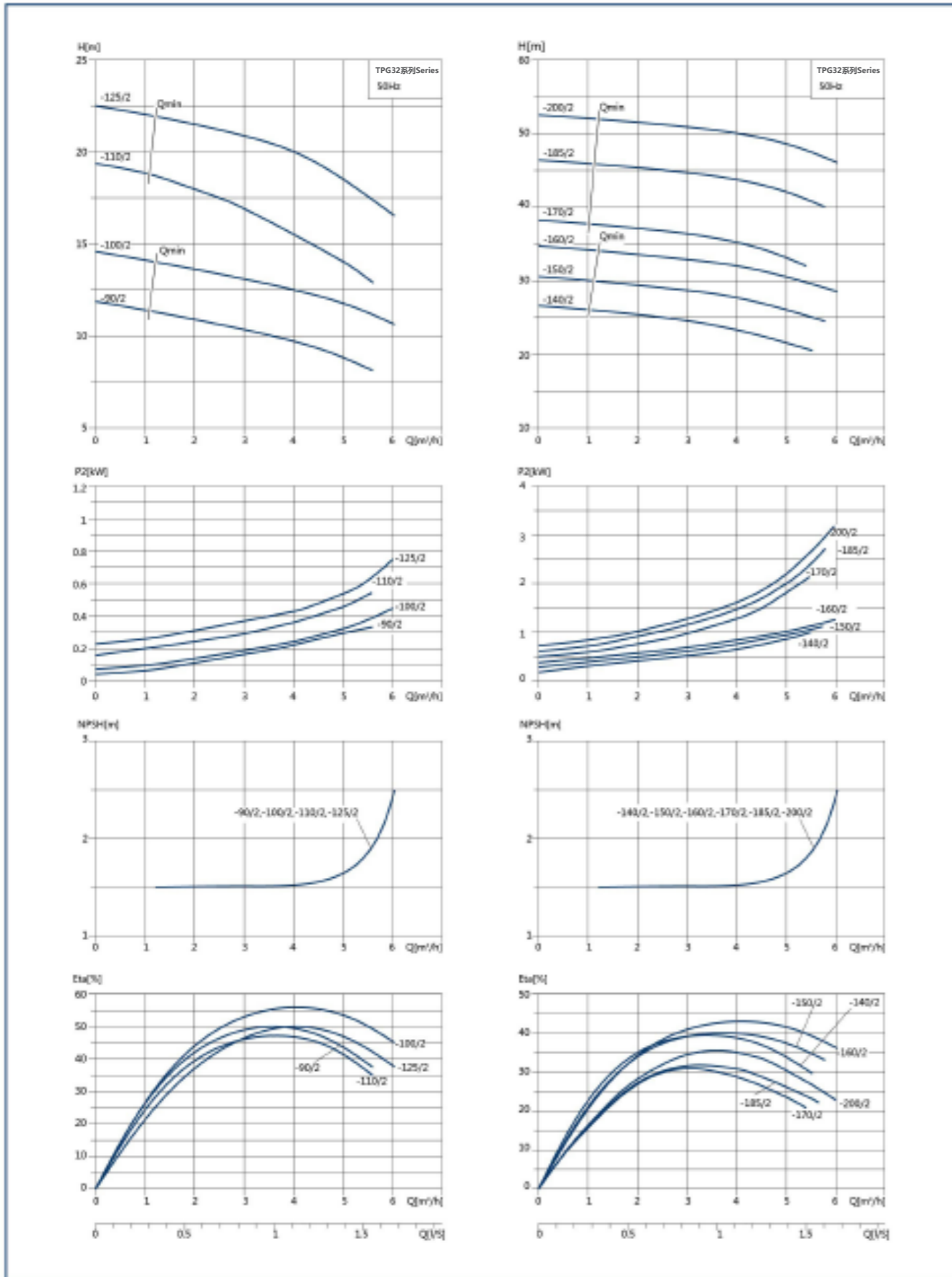
型号 Model	流量Q	扬程H	功率P	电流	噪声	重量	长度	宽度 width		高度 Height	
	m³/h	m	kW	A	dB(A)	kg	L	B	B1	H	H1
TPG25-200/2	1.4	51	3.7	9.3	48	107	400	332	182	721	130
	2	50									
TPG25-185/2	1.3	45	3	7.8	48	104	400	332	182	721	130
	1.9	44									
TPG25-170/2	1.3	37	2.2	6	46	86	400	314	164	616	130
	1.8	36									
TPG25-160/2	1.4	33	1.8	5	46	76	400	304	164	611	130
	2	32									
TPG25-150/2	1.3	29	1.5	4.2	46	74	400	304	164	611	130
	1.9	28									
TPG25-140/2	1.3	25.5	1.1	3.1	46	71	400	304	164	611	130
	1.8	24									
TPG25-125/2	1.4	21	0.9	2.8	45	70	400	304	164	609	130
	2	20									
TPG25-110/2	1.3	17.5	0.75	2.5	45	69	400	304	164	609	130
	1.9	16									
TPG25-100/2	1.4	13.2	0.55	1.8	43	68	400	304	164	609	130
	2	12.5									
TPG25-90/2	1.3	10.5	0.55	1.8	43	68	400	304	164	609	130
	1.9	10									
	2.5	9									

注：以上所列参数为典型点取样参数，详细数据请参考左侧性能曲线。  
 Note: The parameters listed above are typical point sampling parameters. For detailed data, please refer to the characteristic curve on the left.

## 外观尺寸图 Dimension Figure



## 性能曲线 Characteristic Curves



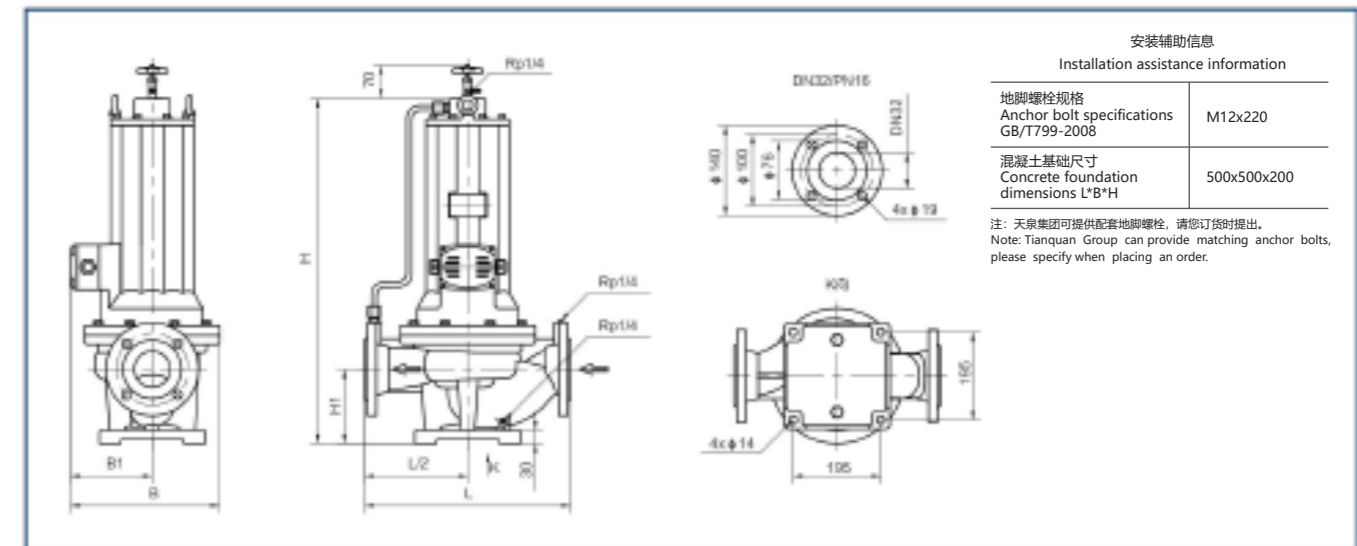
## 性能参数 Parameters Table

## 尺寸 Dimension

型号 Model	流量Q	扬程H	功率P	电流	噪声	重量	长度	宽度 width		高度 Height	
	m <sup>3</sup> /h	m	kW	A	dB(A)	kg	L	B	B1	H	H1
TPG32-200/2	2.8	51	3.7	9.3	48	107	400	332	182	721	130
	4	50									
	5.2	48									
TPG32-185/2	2.6	45	3	7.8	48	104					
	3.7	44									
TPG32-170/2	2.5	37	2.2	6	46	86					
	3.5	36									
TPG32-160/2	2.8	33	1.8	5	46	76					
	4	32									
TPG32-150/2	2.6	29	1.5	4.2	46	74					
	3.7	28									
TPG32-140/2	2.5	25.5	1.1	3.1	46	71					
	3.5	24									
TPG32-125/2	2.8	21	0.9	2.8	45	70					
	4	20									
TPG32-110/2	2.6	17.5	0.75	2.5	45	69					
	3.7	16									
TPG32-100/2	2.8	13.2	0.55	1.8	43	68					
	4	12.5									
TPG32-90/2	2.6	10.5	0.55	1.8	43	68					
	3.7	10									

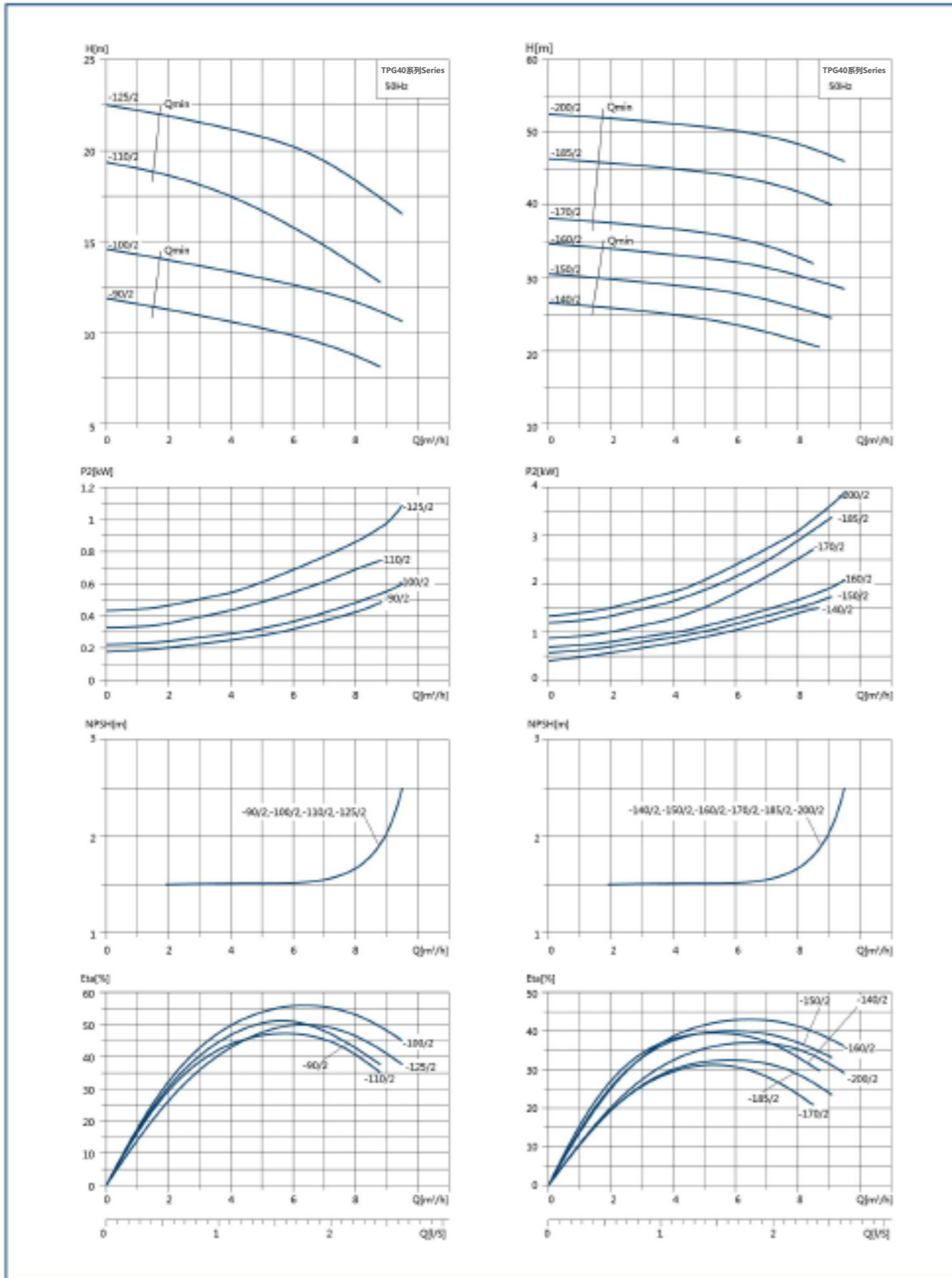
注：以上所列参数为典型点取样参数，详细数据请参考左侧性能曲线。  
 Note: The parameters listed above are typical point sampling parameters. For detailed data, please refer to the characteristic curve on the left.

## 外观尺寸图 Dimension Figure





## 性能曲线 Characteristic Curves



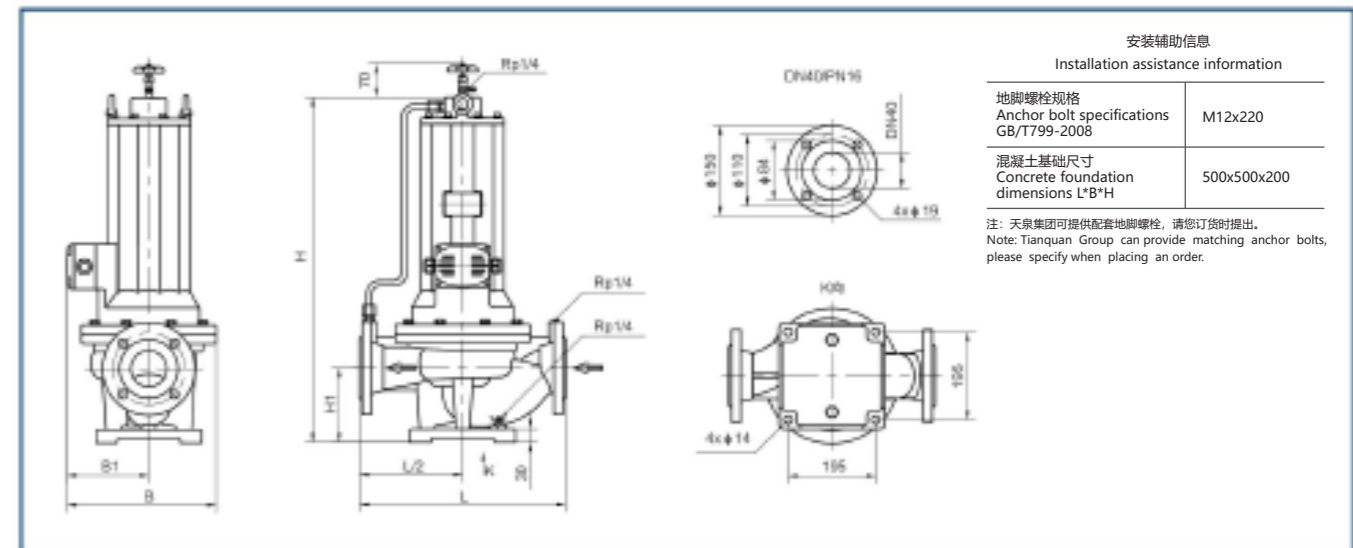
## 性能参数 Parameters Table

## 尺寸 Dimension

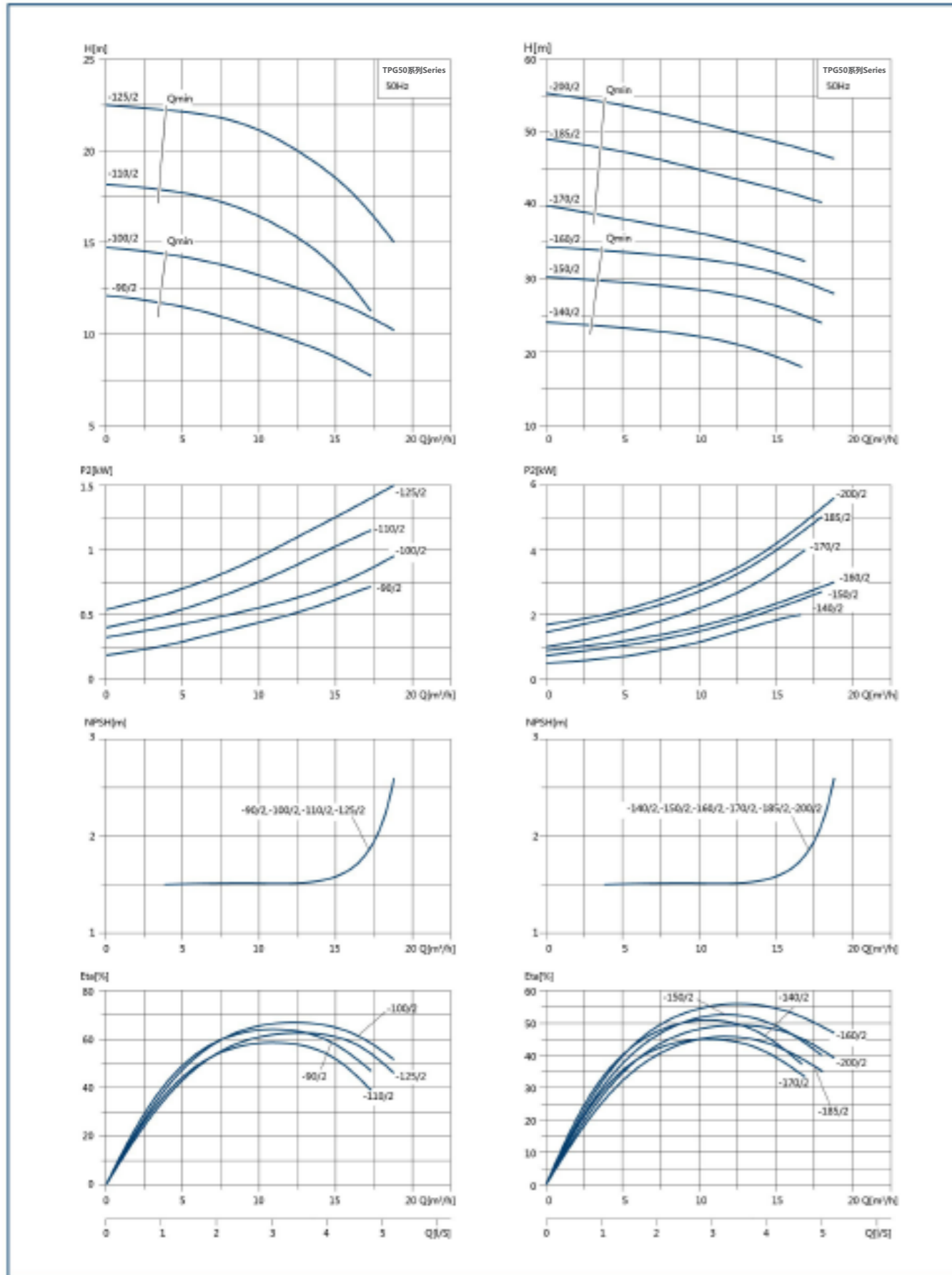
型号 Model	流量Q	扬程H	功率P	电流 Current	噪声 Noise	重量 weight	长度 Length	宽度 width		高度 Height	
	m³/h	m	kW	A	dB(A)	kg	L	B	B1	H	H1
TPG40-200/2	4.4	51	3.7	9.3	48	107	400	332	182	721	130
	6.3	50									
	8.3	48									
TPG40-185/2	4.1	45	3	7.8	48	104	400	332	182	721	130
	5.9	44									
	7.8	42									
TPG40-170/2	3.7	37	2.2	6	46	86	400	314	164	616	130
	5.3	36									
	7	34.5									
TPG40-160/2	4.4	33	1.8	5	46	76	400	304	164	611	130
	6.3	32									
	8.3	30									
TPG40-150/2	4.1	29	1.5	4.2	46	74	400	304	164	611	130
	5.9	28									
	7.5	26.5									
TPG40-140/2	3.8	25.5	1.1	3.1	46	71	400	304	164	611	130
	5.5	24									
	7	22.5									
TPG40-125/2	4.4	21	0.9	2.8	45	70	400	304	164	609	130
	6.3	20									
	8.3	18									
TPG40-110/2	3.9	17.5	0.75	2.5	45	69	400	304	164	609	130
	5.6	16									
	7.4	14.5									
TPG40-100	4.4	13.2	0.55	1.8	43	68	400	304	164	609	130
	6.3	12.5									
	8.3	11.5									
TPG40-90/2	3.9	10.5	0.55	1.8	43	68	400	304	164	609	130
	5.6	10									
	7.4	9									

注：以上所列参数为典型点取样参数，详细数据请参考左侧性能曲线。  
 Note: The parameters listed above are typical point sampling parameters. For detailed data, please refer to the characteristic curve on the left.

## 外观尺寸图 Dimension Figure



## 性能曲线 Characteristic Curves



## 性能参数 Parameters Table

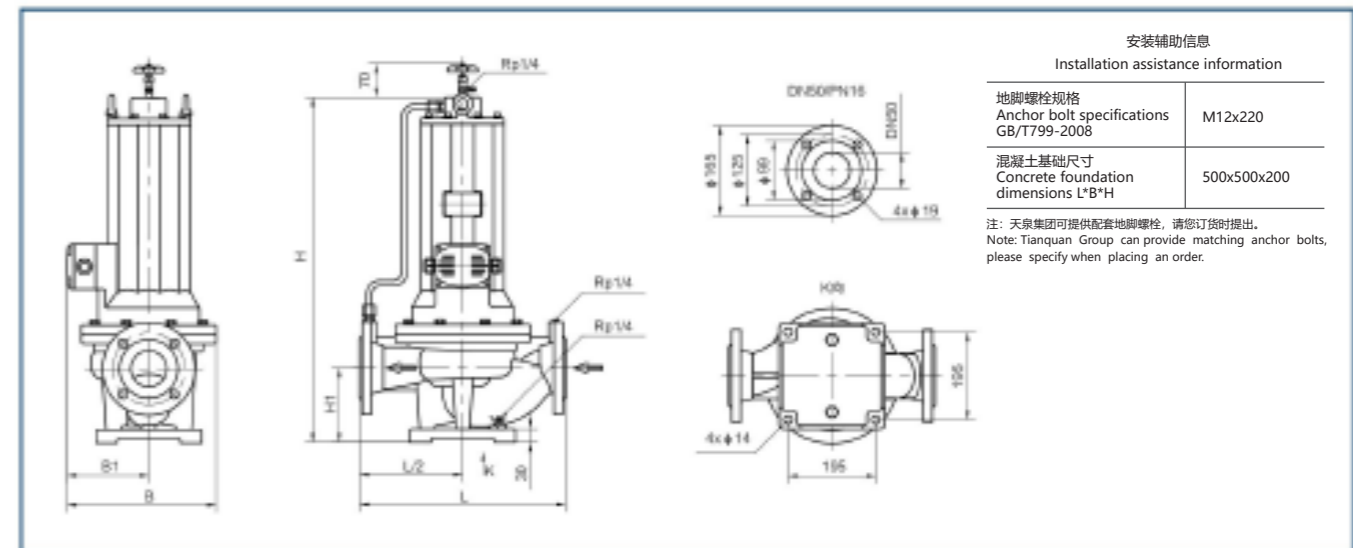
## 尺寸 Dimension

型号 Model	流量Q	扬程H	功率P	电流 Current	噪声 Noise	重量 weight	长度 Length	宽度 width		高度 Height	
	m³/h	m	kW	A	dB(A)	kg	L	B	B1	H	H1
TPG50-200/2	8.8	52	4.8	11.8	48	122	450	332	182	740	165
	12.5	50									
	16.3	48									
TPG50-185/2	8.3	45.8	4	9.8	48	121	450	332	182	740	165
	11.7	44									
TPG50-170/2	7.5	37	3	7.8	48	115	450	332	182	740	165
	10.6	36									
TPG50-160/2	8.8	33	2.6	6.9	48	110	420	332	182	731	140
	12.5	32									
	16.3	30									
TPG50-150/2	8.2	29	2.2	6	46	94	420	314	164	626	140
	11.7	28									
	15.2	26									
TPG50-140/2	7.3	23	1.5	4.2	46	91	420	314	164	626	140
	10.4	22									
	13.5	20.5									
TPG50-125/2	8.8	21.5	1.3	3.7	46	82	420	304	164	627	140
	12.5	20									
	16.3	17.5									
TPG50-110/2	8	17	1.1	3.1	46	81	420	304	164	627	140
	11	16									
	14.5	14									
TPG50-100/2	8.8	13.5	0.9	2.8	45	79	420	304	164	627	140
	12.5	12.5									
	16.3	11.3									
TPG50-90/2	8	11	0.75	2.5	45	78	420	304	164	627	140
	11	10									
	14.5	9									

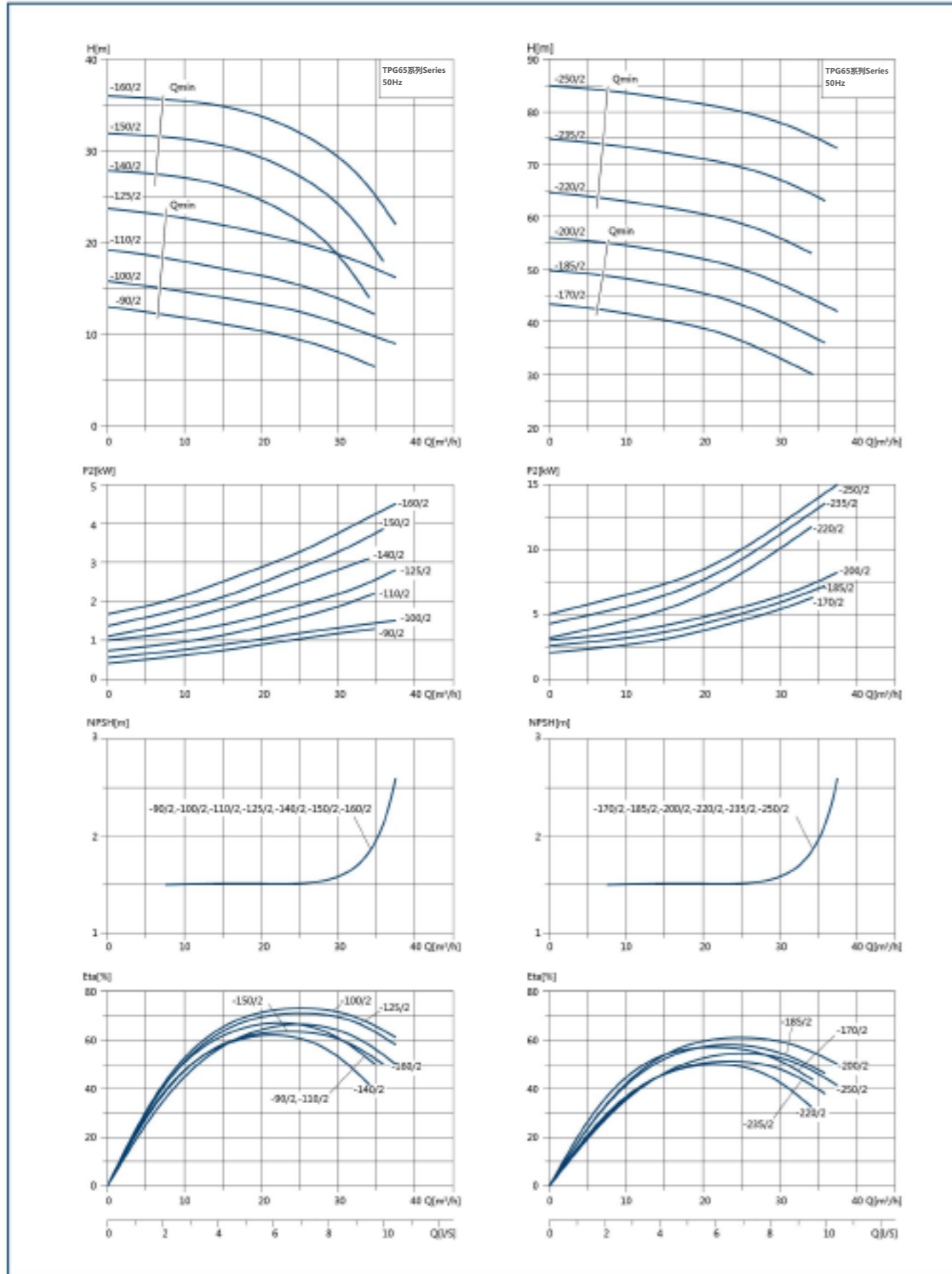
注：以上所列参数为典型点取样参数，详细数据请参考左侧性能曲线。

Note: The parameters listed above are typical point sampling parameters. For detailed data, please refer to the characteristic curve on the left.

## 外观尺寸图 Dimension Figure



## 性能曲线 Characteristic Curves



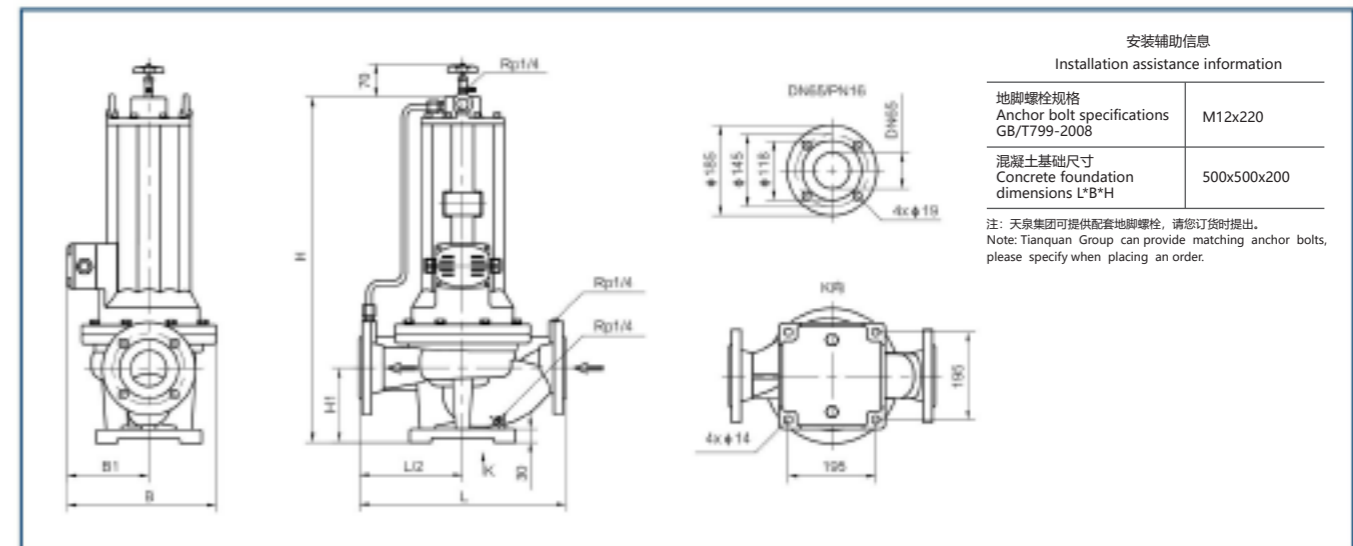
## 性能参数 Parameters Table

## 尺寸 Dimension

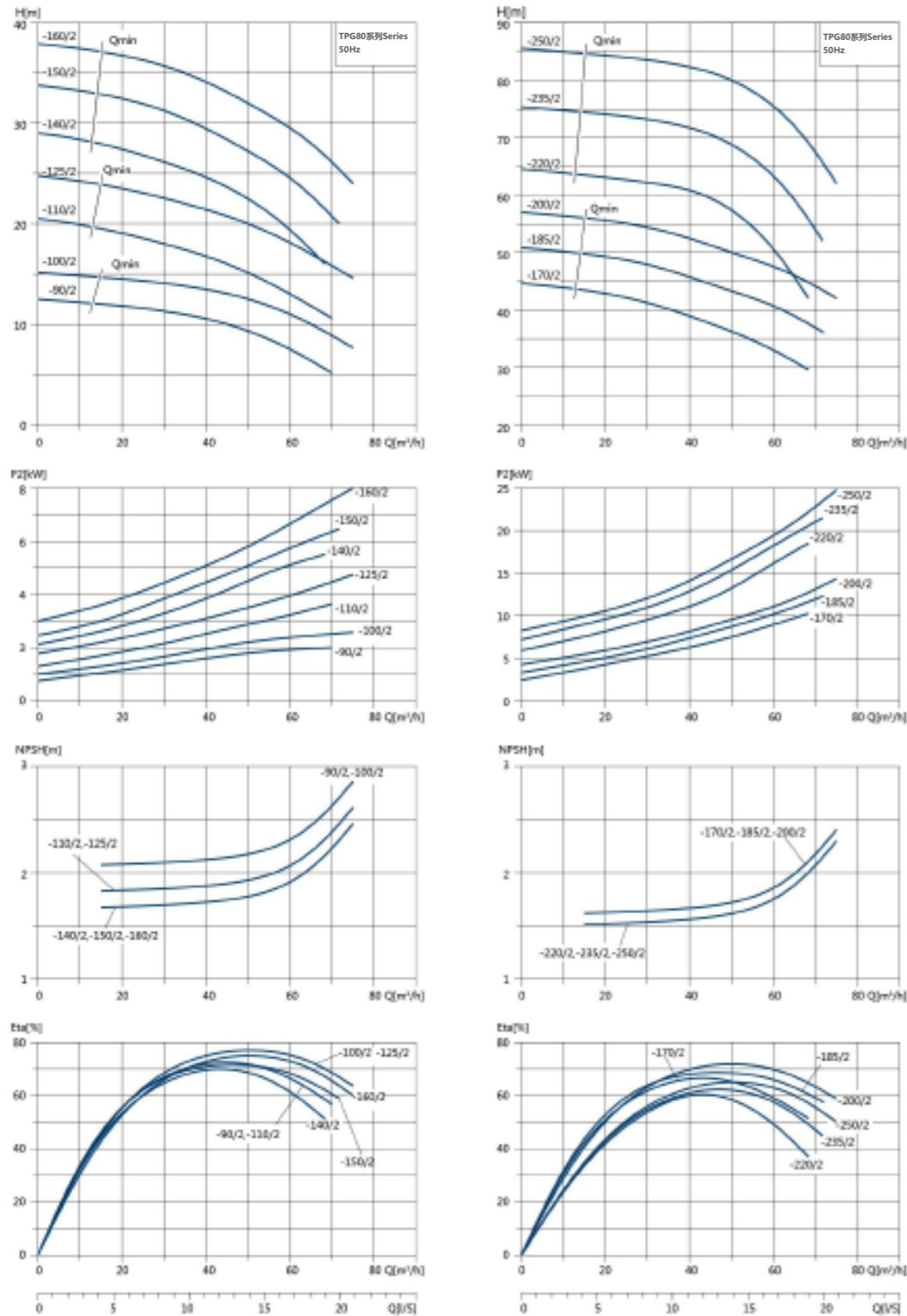
型号Model	流量Q	扬程H	功率P	电流	噪声	重量	长度	宽度 width		高度 Height	
	m³/h	m	kW	A	dB(A)	kg	L	B	B1	H	H1
TPG65-250/2	17.5	82	13	30	50	194	520	382	217	812	155
	25	80									
	32.5	76.5									
TPG65-235/2	16.4	71.5	11	25.7	50	185	520	382	217	812	155
	23.4	70									
	30.5	67									
TPG65-220/2	15	61.5	9	22	50	182	520	382	217	812	155
	21.6	60									
	28	57.4									
TPG65-200/2	17.5	52.7	7.5	18	48	135	500	332	182	747	155
	25	50									
	32.5	45.5									
TPG65-185/2	16.4	46.5	6.3	15.3	48	132	500	332	182	747	155
	23.5	44									
	30.5	40									
TPG65-170/2	15.2	40	4.8	11.8	48	128	500	332	182	747	155
	21.8	38									
	28.3	34.5									
TPG65-160/2	17.5	34.4	4	9.8	48	123	450	332	182	752	155
	25	32									
	32.5	27.5									
TPG65-150/2	16.4	30	3.7	9.3	48	121	450	332	182	752	155
	23.4	28									
	30.4	24									
TPG65-140/2	15	26	3	7.8	48	117	450	332	182	752	155
	21.6	24									
	28	20.6									
TPG65-125/2	17.5	21.5	2.6	6.9	48	113	420	332	182	757	155
	25	20									
	32.5	18									
TPG65-110/2	15.6	17	2.2	6	46	97	420	314	164	652	155
	22.3	16									
	29	14.4									
TPG65-100/2	17.5	13.7	1.8	5	46	95	420	314	164	652	155
	25	12.5									
	32.5	10.5									
TPG65-90/2	15.6	11	1.3	3.7	46	92	420	314	164	652	155
	22.3	10									
	29	8.4									

注：以上所列参数为典型点取样参数，详细数据请参考左侧性能曲线。  
 Note: The parameters listed above are typical point sampling parameters. For detailed data, please refer to the characteristic curve on the left.

## 外观尺寸图 Dimension Figure



## 性能曲线 Characteristic Curves



## 性能参数 Parameters Table

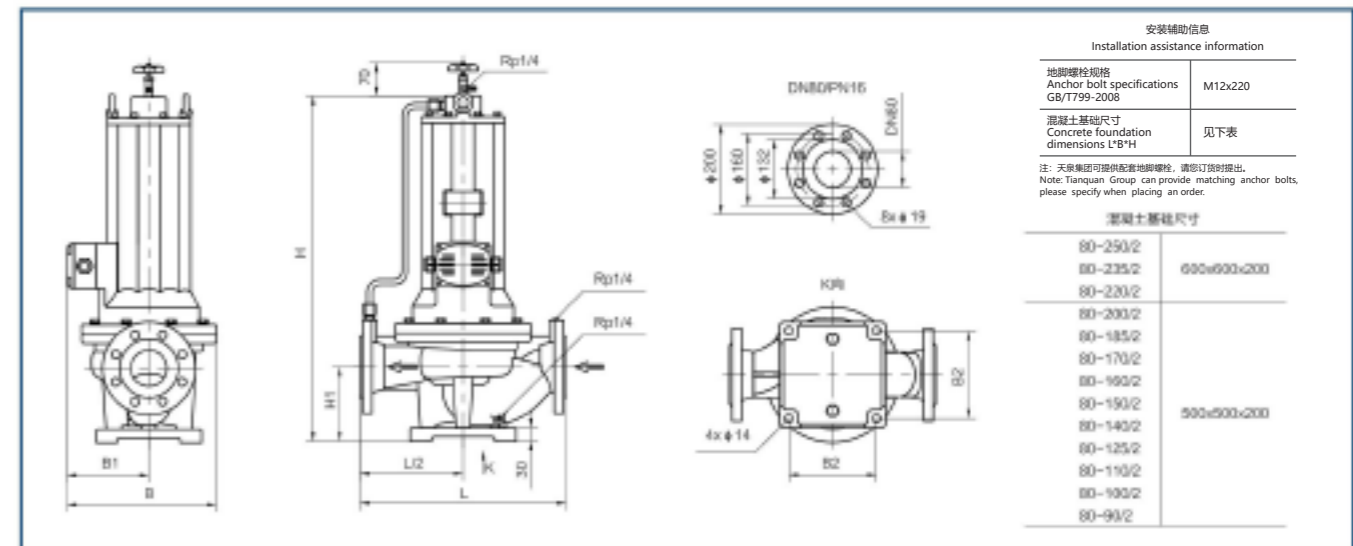
## 尺寸 Dimension

型号 Model	流量Q	扬程H	功率P	电流	噪声	重量	长度	长度 Width			高度 Height	
	m³/h	m	kW	A	dB(A)	kg	L	B	B1	B2	H	H1
TPG80-250/2	35	83	22	50	52	285	550	447	237	290	910	165
	50	80										
	65	72										
TPG80-235/2	32.5	73	18.5	42	52	269	550	447	237	290	910	165
	46.7	70										
	61	63										
TPG80-220/2	30	62	15	35	50	228	550	427	217	290	842	165
	43.3	60										
	56	54										
TPG80-200/2	35	53.5	13	30	50	202	500	382	217	195	842	165
	50	50										
	65	46										
TPG80-185/2	32.8	47	11	25.7	50	193	500		217	195	842	165
	47	44										
	61	40										
TPG80-170/2	30.5	40.6	9	22	50	190	500	382	217	195	842	165
	43.5	38										
	56.6	33.4										
TPG80-160/2	35	35	7.5	18	48	141	500	332	182	195	775	165
	50	32										
	65	28										
TPG80-150/2	32.7	30.6	6.3	15.3	48	139	500	332	182	195	775	165
	46.7	28										
	61	24										
TPG80-140/2	30.3	26	5.5	13.5	48	136	500	332	182	195	775	165
	43.3	24										
	56.3	21										
TPG80-125/2	35	22	4.8	11.8	48	129	450	332	182	195	767	165
	50	20										
	65	17										
TPG80-110/2	31.3	17.5	3.7	9.3	48	125	450	332	182	195	767	165
	45	16										
	58	13.6										
TPG80-100/2	35	13.8	3	7.8	48	122	450	332	182	195	767	165
	50	12.5										
	65	10										
TPG80-90/2	31.3	11	2.2	6	46	105	450	314	164	195	662	165
	44.7	10										
	58	8										

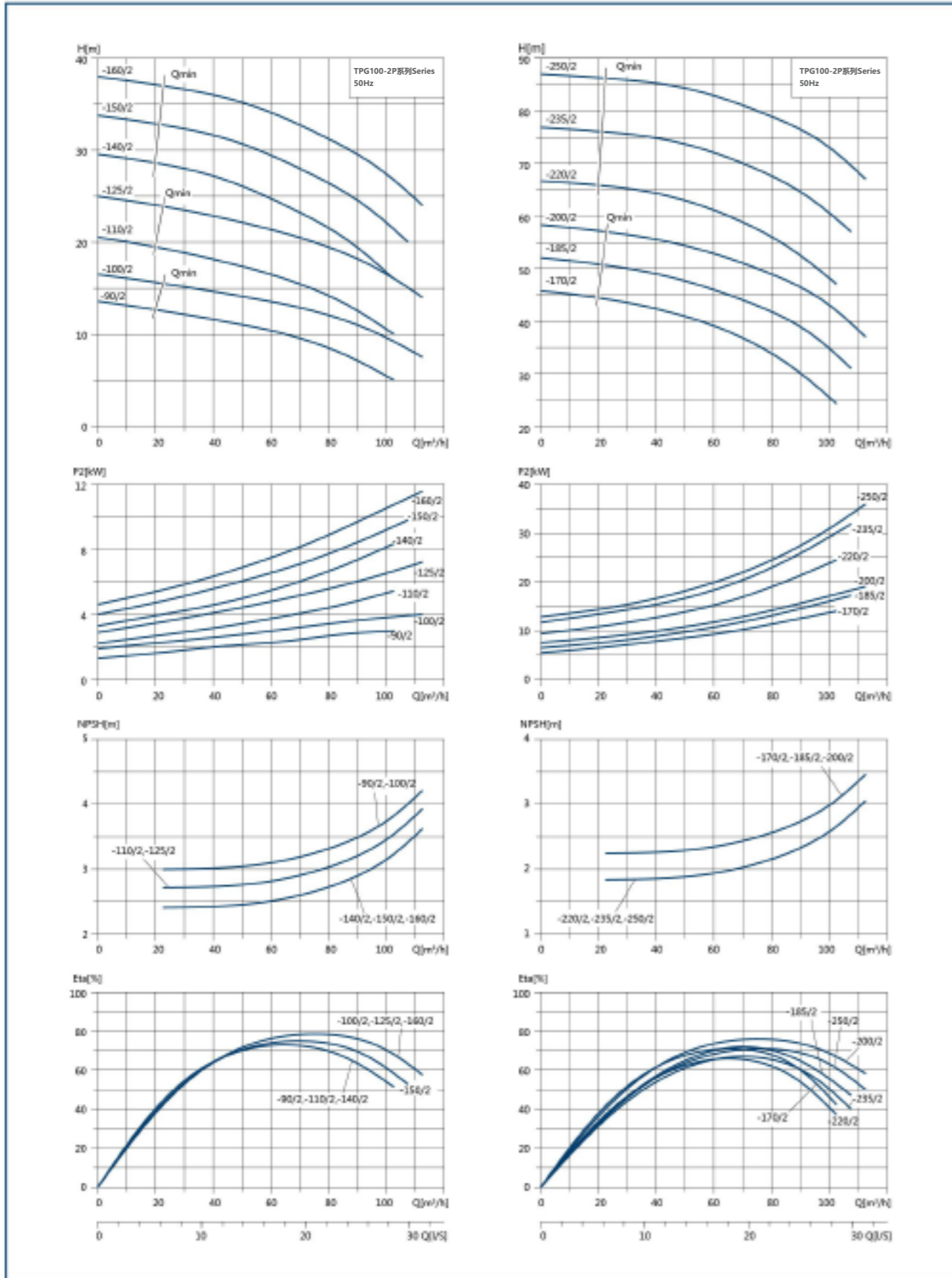
注：以上所列参数为典型点取样参数，详细数据请参考左侧性能曲线。

Note: The parameters listed above are typical point sampling parameters. For detailed data, please refer to the characteristic curve on the left.

## 外观尺寸图 Dimension Figure



## 性能曲线 Characteristic Curves



## 性能参数 Parameters Table

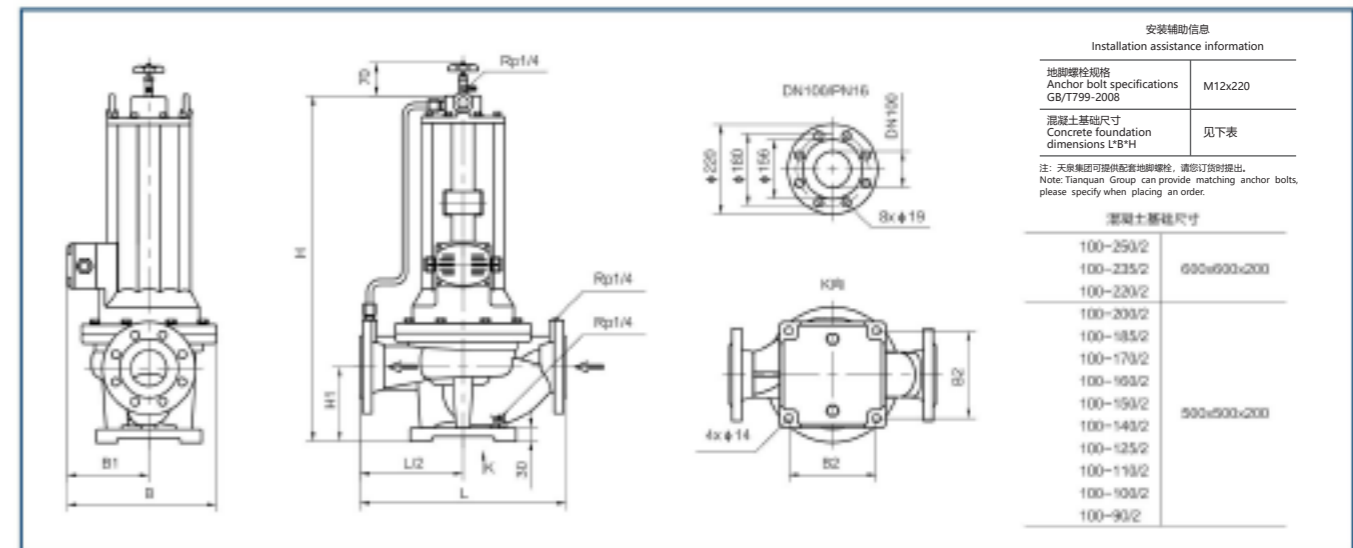
## 尺寸 Dimension

型号 Model	流量Q	扬程H	功率P	电流 Current	噪声 Noise	重量 weight	长度 Length	宽度 Width			高度 Height	
	m³/h	m	kW	A	dB(A)	kg	L	B	B1	B2	H	H1
TPG100-250/2	52.5	84	30	65	52	322	620	447	237	290	962	210
	75	80										
	97.5	74										
TPG100-235/2	49	74	25	55	52	308	620	447	237	290	962	210
	70	70										
	91	64										
TPG100-220/2	45.5	64	20	45	52	290	620	447	237	290	962	210
	65	60										
	84.5	54										
TPG100-200/2	52.5	54	17	39	50	255	600	382	217	195	894	210
	75	50										
	97.5	44										
TPG100-185/2	49	48	15	35	50	221	600	382	217	195	894	210
	70	44										
	91	38										
TPG100-170/2	45.5	42	13	30	50	214	600	382	217	195	894	210
	65	38										
	84.5	32										
TPG100-160/2	52.5	35	11	25.7	50	199	550	382	217	195	883	200
	75	32										
	97.5	28										
TPG100-150/2	49	31	9	22	50	196	550	382	217	195	883	200
	70	28										
	91	24										
TPG100-140/2	45.5	26	7.5	18	48	159	550	382	182	195	818	200
	65	24										
	84.5	21										
TPG100-125/2	52.5	22	6.3	15.3	48	143	530	330	182	195	808	190
	75	20										
	97.5	17										
TPG100-110/2	45.5	17.5	4.8	11.8	48	138	530	330	182	195	808	190
	65	16										
	84.5	13.5										
TPG100-100/2	52.5	14	4	9.8	48	137	530	330	182	195	808	190
	75	12.5										
	97.5	10										
TPG100-90/2	45.5	11	3	7.8	48	131	530	330	182	195	808	190
	65	10										
	84.5	8										

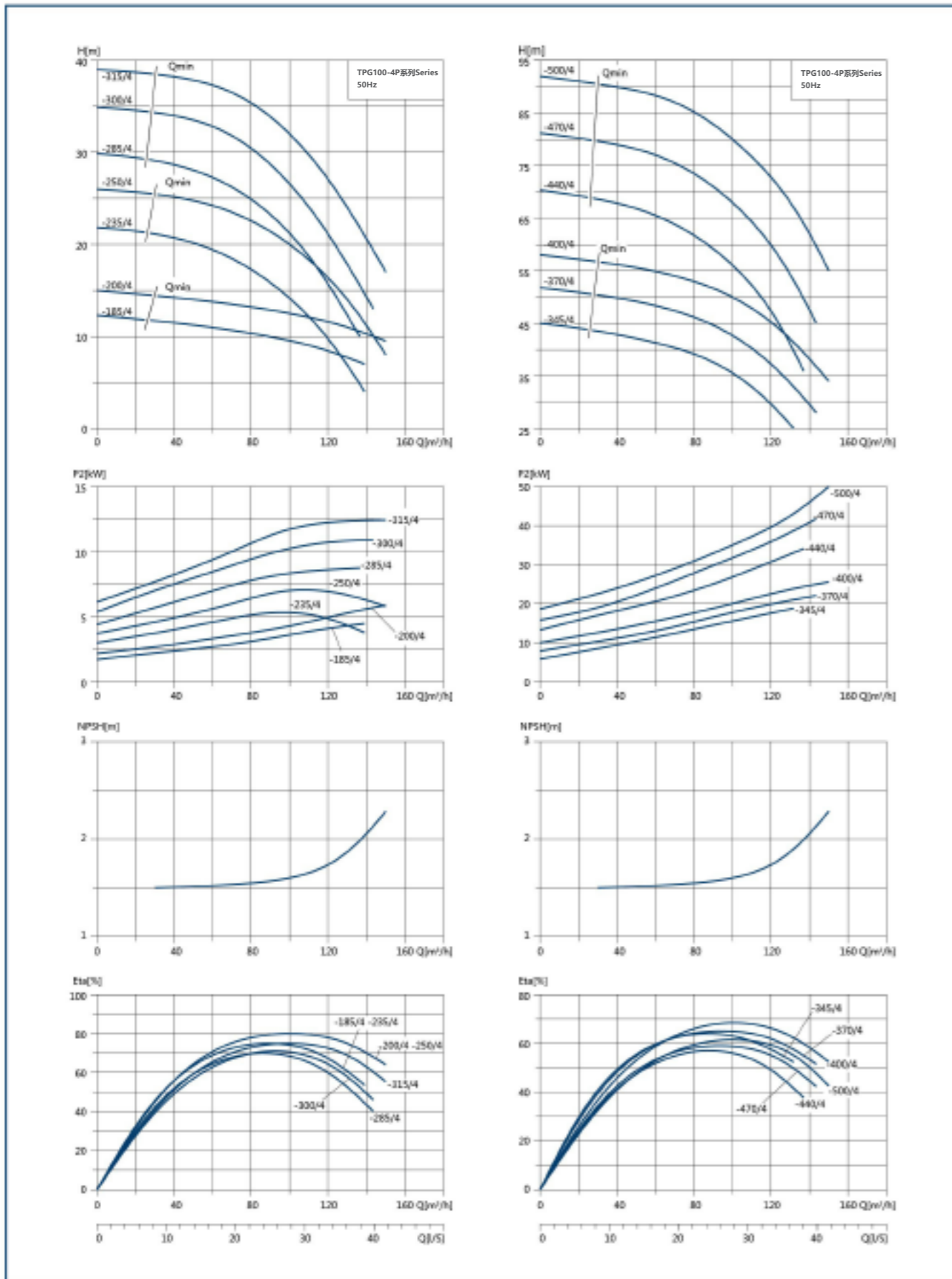
注：以上所列参数为典型点取样参数，详细数据请参考左侧性能曲线。

Note: The parameters listed above are typical point sampling parameters. For detailed data, please refer to the characteristic curve on the left.

## 外观尺寸图 Dimension Figure



## 性能曲线 Characteristic Curves



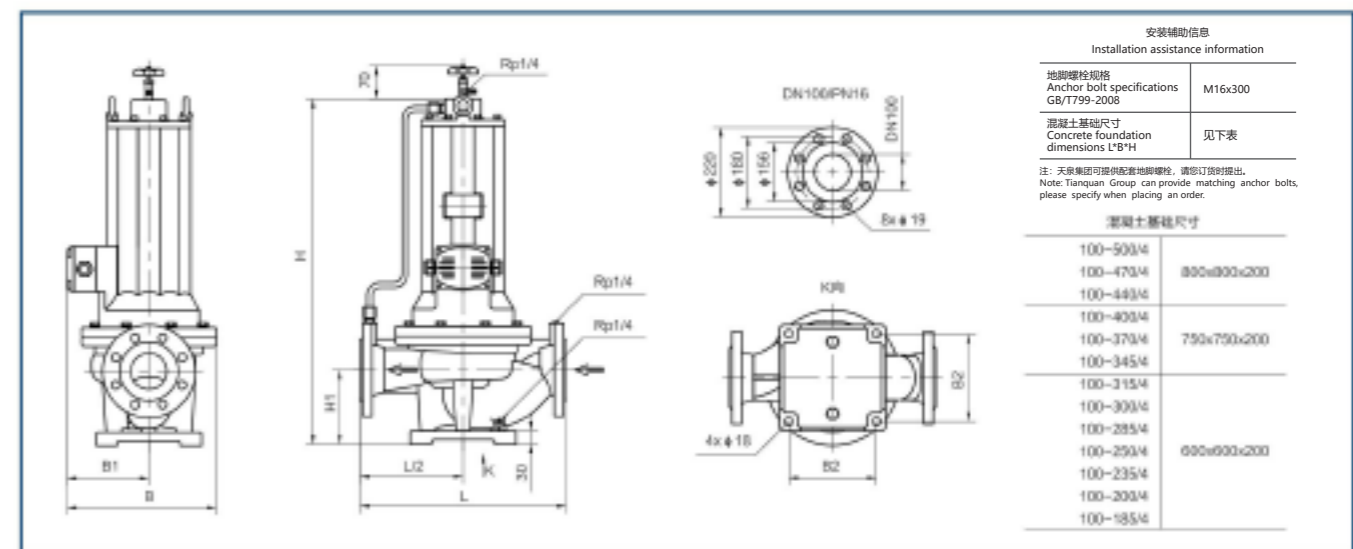
## 性能参数 Parameters Table

## 尺寸 Dimension

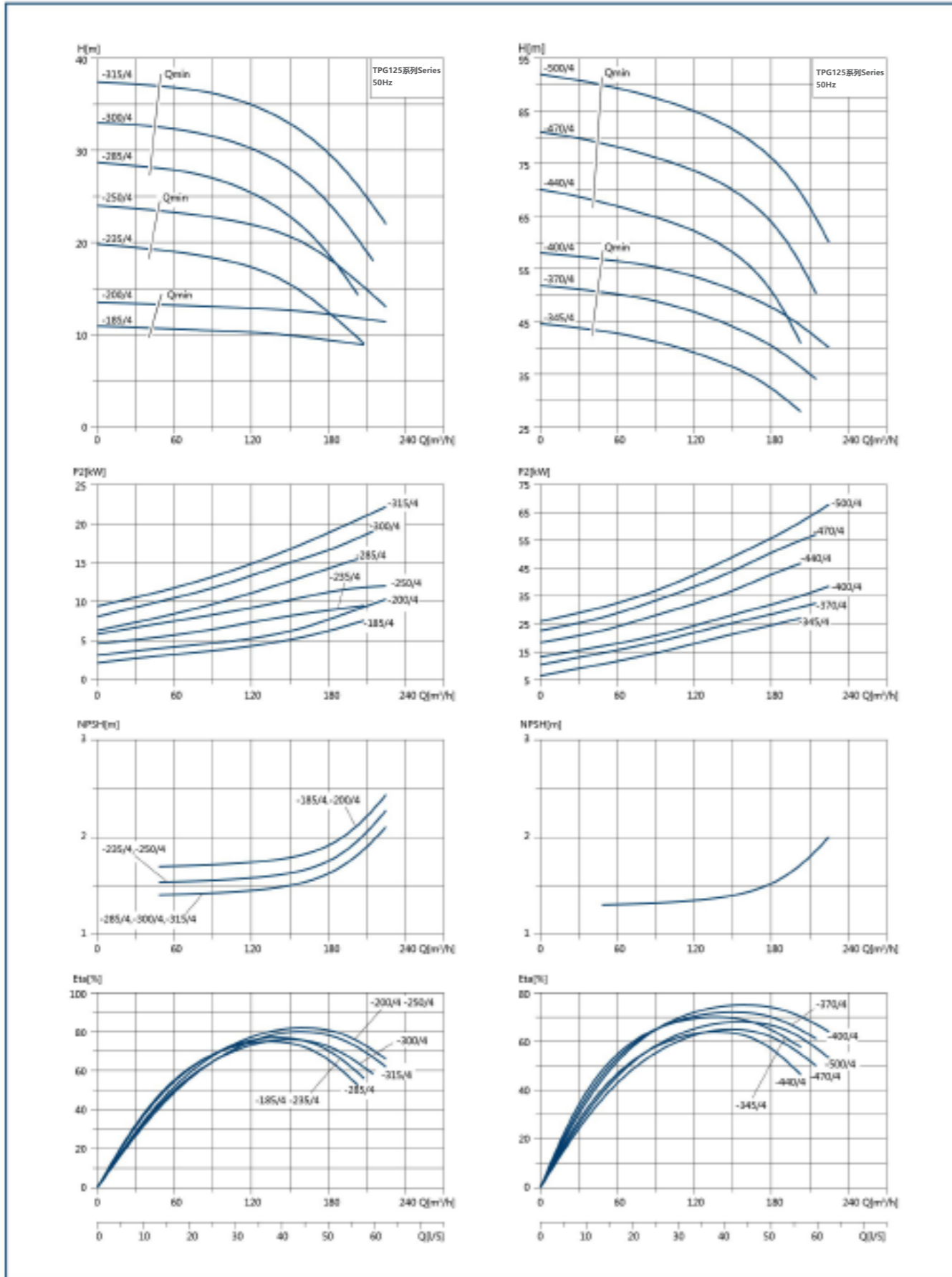
型号 Model	流量Q	扬程H	功率P	电流 Current	噪声 Noise	重量 weight	长度 Length	宽度 Width			高度 Height	
	m³/h	m	kW	A	dB(A)	kg	L	B	B1	B2	H	H1
TPG100-500/4	70	87	45	103	54	594	850	722	376	450	1140	225
	100	80										
	130	68										
TPG100-470/4	65.4	76	37	83	51	562	850	722	376	450	1103	225
	93.5	70										
	21.6	59.5										
TPG100-440/4	61	65	30	66	51	501	850	722	376	450	1103	225
	87	60										
	113	51										
TPG100-400/4	70	54	25	56	51	440	740	580	300	360	1103	225
	100	50										
	130	42										
TPG100-370/4	65.4	47.5	22	51	51	422	740	580	300	360	1103	225
	93.5	44										
	21.6	37										
TPG100-345/4	61	41	17	41	48	362	740	580	300	360	999	225
	87	38										
	113	32										
TPG100-315/4	70	36.5	15	36	48	325	700	450	237	290	975	210
	100	32										
	130	24										
TPG100-300/4	65.4	32	11	27	48	304	700	450	237	290	975	210
	93.5	28										
	21.6	21										
TPG100-285/4	60.6	27	9	23	45	276	700	446	233	290	907	210
	86.6	24										
	112.5	18										
TPG100-250/4	70	23.5	9	23	45	259	700	402	217	290	897	210
	100	20										
	130	14										
TPG100-235/4	62.6	19	6.3	16	45	244	700	402	217	290	897	210
	89	16										
	116	11										
TPG100-200/4	70	13.6	5.5	14	45	239	700	402	217	290	897	210
	100	12.5										
TPG100-185/4	62.6	11	4	11	45	239	700	402	217	290	897	210
	89	10										
	116	8.8										

注：以上所列参数为典型点取样参数，详细数据请参考左侧性能曲线。  
 Note: The parameters listed above are typical point sampling parameters. For detailed data, please refer to the characteristic curve on the left.

## 外观尺寸图 Dimension Figure



## 性能曲线 Characteristic Curves



## 性能参数 Parameters Table

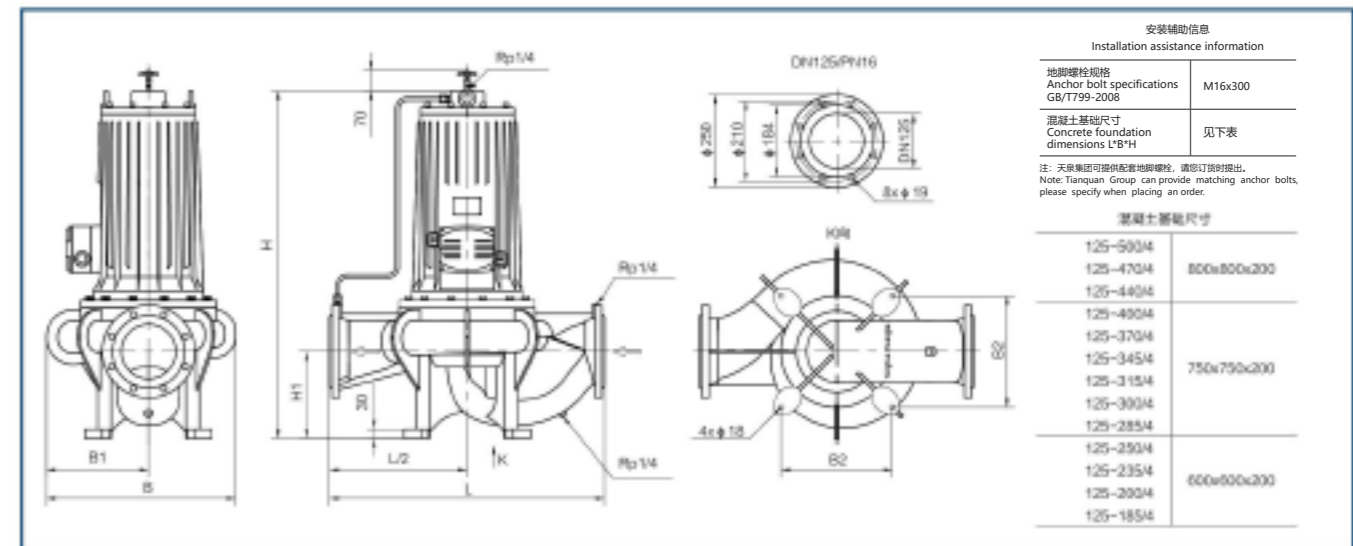
## 尺寸 Dimension

型号 Model	流量Q	扬程H	功率P	电流 Current	噪声 Noise	重量 weight	长度 Length	宽度 Width			高度 Height	
	m³/h	m	kW	A	dB(A)	kg	L	B	B1	B2	H	H1
TPG125-500/4	96	87	63	141	56	913	900	776	435	450	1352	260
	160	80										
	192	73										
TPG125-470/4	90	76	55	124	54	622	900	711	370	450	1182	260
	150	70										
	180	64										
TPG125-440/4	83	65	45	103	54	600	900	711	370	450	1182	260
	138	60										
	166	55										
TPG125-400/4	96	55	37	83	51	552	800	611	320	360	1145	260
	160	50										
	192	46										
TPG125-370/4	90	48.4	30	66	51	491	800	611	320	360	1145	260
	150	44										
	180	40.5										
TPG125-345/4	83	41.3	25	56	51	468	800	611	320	360	1145	260
	138	37.5										
	166	34.5										
TPG125-315/4	96	36	22	51	51	420	760	561	296	360	1123	230
	160	32										
	192	28										
TPG125-300/4	90	31.5	18.5	45	48	367	760	561	296	360	1019	230
	150	28										
	180	24.5										
TPG125-285/4	83	27	15	36	48	352	760	561	296	360	1019	230
	138	24										
	166	21										
TPG125-250/4	96	22.6	13	32	48	328	740	458	245	290	1019	240
	160	20										
	192	17										
TPG125-235/4	86	18	11	27	48	317	740	458	245	290	1019	240
	143	16										
	172	13.6										
TPG125-200/4	96	13	9	23	45	290	740	458	245	290	951	240
	160	12.5										
	192	12										
TPG125-185/4	86	10.4	6.3	16	45	274	740	458	245	290	951	240
	143	10										
	172	9.6										

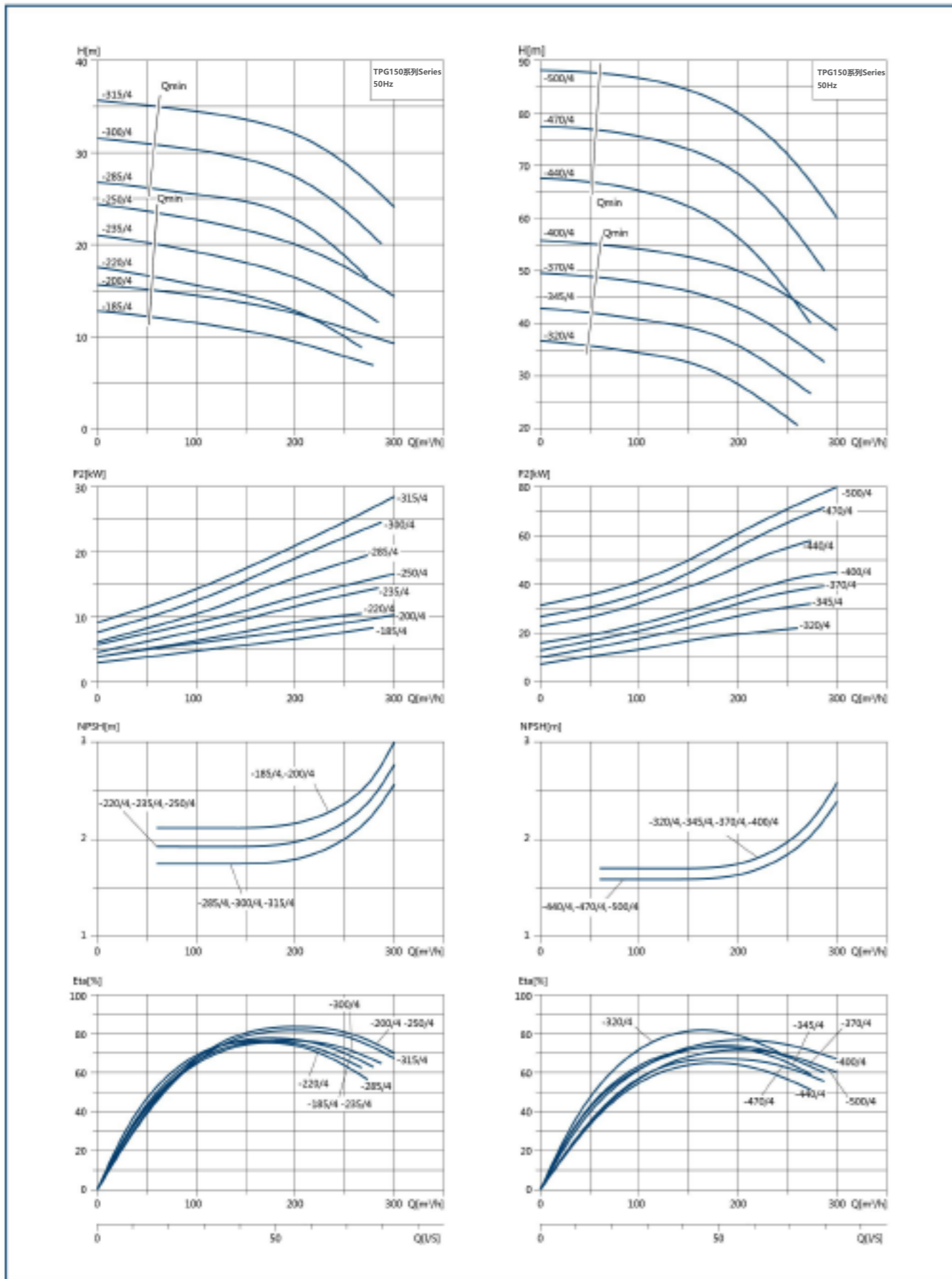
注：以上所列参数为典型点取样参数，详细数据请参考左侧性能曲线。

Note: The parameters listed above are typical point sampling parameters. For detailed data, please refer to the characteristic curve on the left.

## 外观尺寸图 Dimension Figure



## 性能曲线 Characteristic Curves



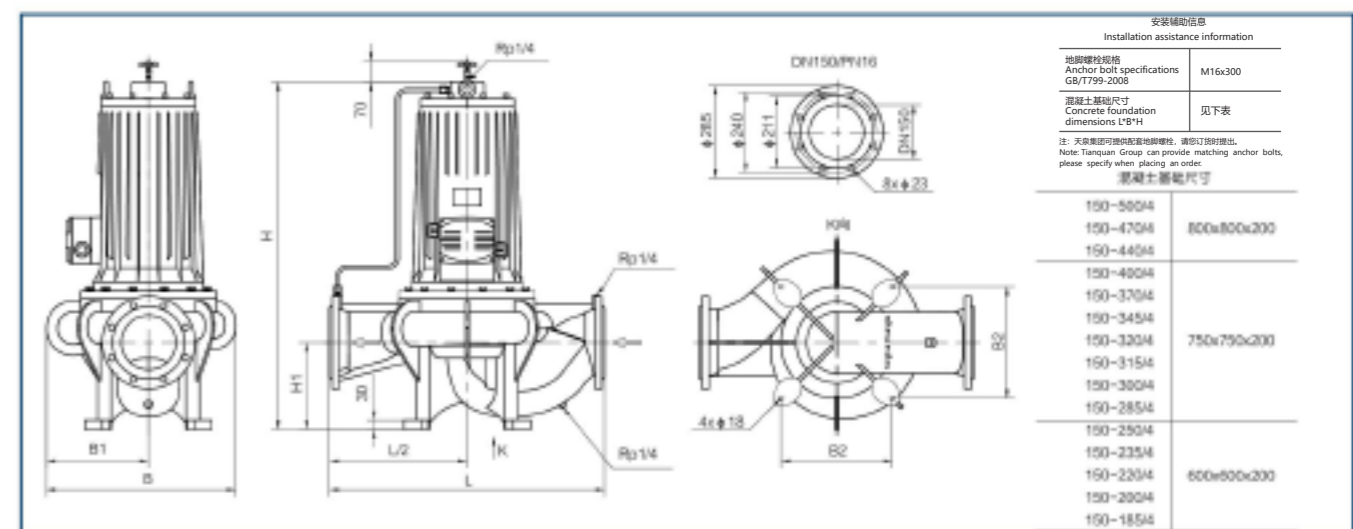
## 性能参数 Parameters Table

## 尺寸 Dimension

型号 Model	流量Q	扬程H	功率P	电流	噪声	重量	长度	宽度 Width			高度 Height	
	m³/h	m	kW	A	dB(A)	kg	L	B	B1	B2	H	H1
TPG150-500/4	140	85	80	178	56	986	900	781	435	450	1373	275
	200	80										
	260	70										
TPG150-470/4	131	74	70	156	56	951	900	781	435	450	1373	275
	187	70										
	243	61										
TPG150-440/4	121	64	55	124	54	628	900	722	376	450	1203	275
	173	60										
	225	52										
TPG150-400/4	140	53	45	103	54	572	850	626	330	360	1203	275
	200	50										
	260	44										
TPG150-370/4	131	46	37	83	51	560	850	622	326	360	1166	275
	187	44										
	243	38										
TPG150-345/4	122	40	30	66	51	499	850	622	326	360	1166	275
	174	38										
	226	33										
TPG150-320/4	112	34	22	51	51	454	800	590	312	360	1164	255
	160	32										
	200	28										
TPG150-315/4	140	33	27	61	51	477	800	590	312	360	1164	255
	200	32										
	260	28										
TPG150-300/4	131	29.5	22	51	51	447	800	590	312	360	1164	255
	187	28										
	243	24.5										
TPG150-285/4	121	25	18.5	45	48	394	800	590	312	360	1060	255
	173	24										
	225	21										
TPG150-250/4	140	21.8	17	41	48	369	800	458	245	290	1067	265
	200	20										
	260	17										
TPG150-235/4	129	18.5	13	32	48	350	800	458	245	290	1067	265
	184	17										
	240	14.4										
TPG150-220/4	117	15.2	11	27	48	339	800	458	245	290	1067	265
	167	14										
	217	12										
TPG150-200/4	140	13.8	11	27	48	339	800	458	245	290	1067	265
	200	12.5										
	260	10.6										
TPG150-185/4	125	11	9	23	45	312	800	458	245	290	999	265
	179	10										
	232	8.5										

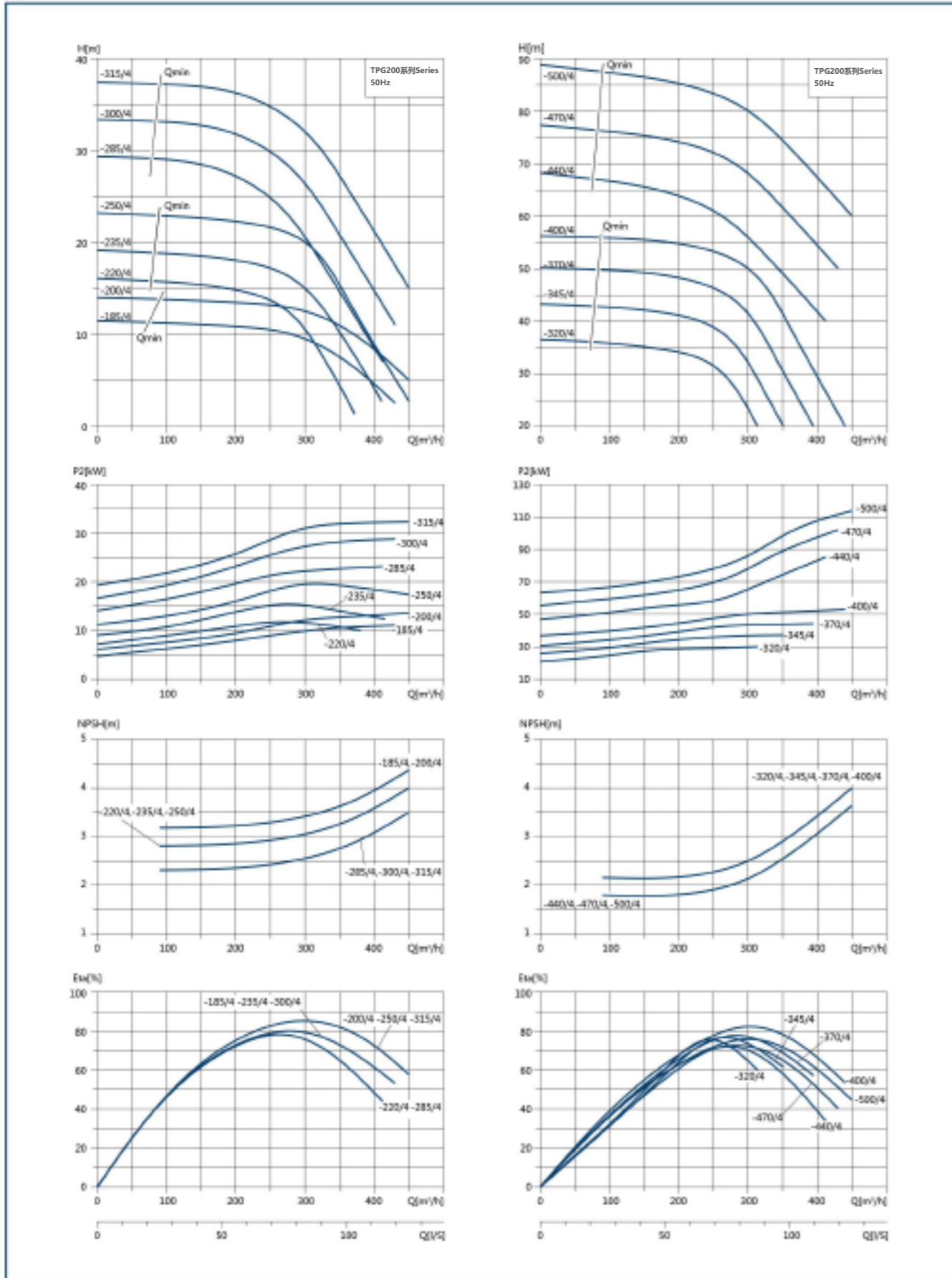
注：以上所列参数为典型点取样参数，详细数据请参考左侧性能曲线。  
 Note: The parameters listed above are typical point sampling parameters. For detailed data, please refer to the characteristic curve on the left.

## 外观尺寸图 Dimension Figure





## 性能曲线 Characteristic Curves



## 性能参数 Parameters Table

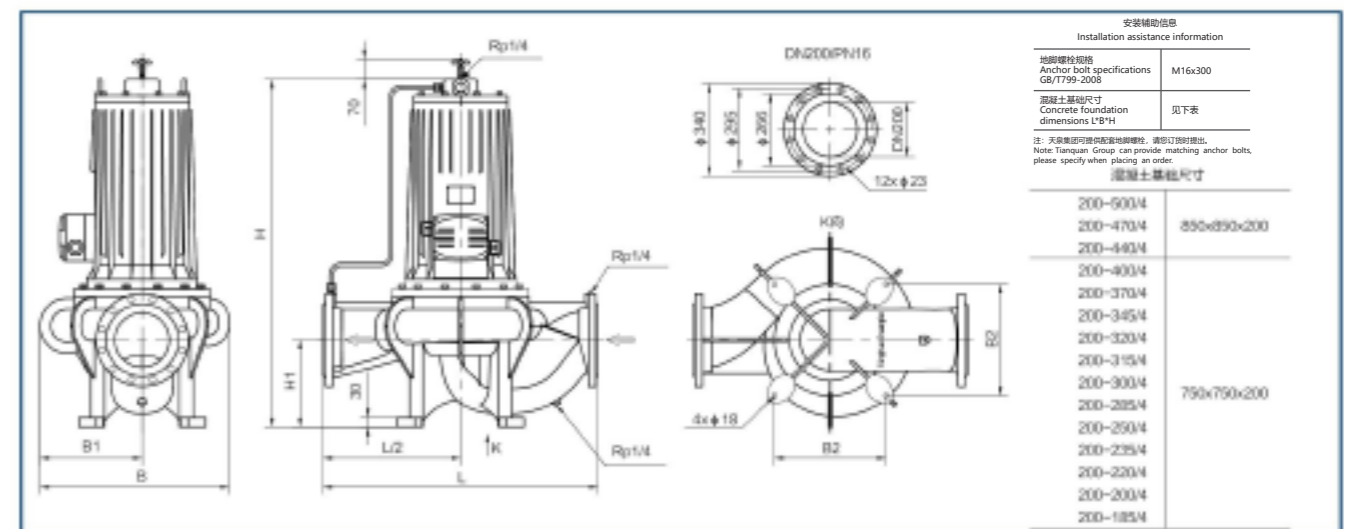
## 尺寸 Dimension

型号 Model	流量Q	扬程H	功率P	电流	噪声	重量	长度	宽度 Width			高度 Height	
	m³/h	m	kW	A	dB(A)	kg	L	B	B1	B2	H	H1
TPG200-500/4	210	85	110	256	56	1310	1100	817	435	500	1468	315
	300	80										
	360	73										
TPG200-470/4	196	74	90	202	56	1260	1100	817	435	500	1468	315
	280	70										
	336	64										
TPG200-440/4	182	64	75	166	56	1203	1100	817	435	500	1468	315
	262	60										
	312	54										
TPG200-400/4	210	54.5	63	141	56	1130	1070	767	435	400	1468	315
	300	50										
	360	39										
TPG200-370/4	196	48	55	124	54	681	1000	695	375	400	1272	315
	280	44										
	336	34										
TPG200-345/4	182	41.4	45	103	54	659	1000	695	375	400	1272	315
	262	38										
	312	29.6										
TPG200-320/4	171	34.9	37	83	51	647	1000	695	375	400	1079	315
	245	32										
	294	25										
TPG200-315/4	210	36	40	91	54	649	1000	695	375	400	1272	315
	300	32										
	360	26										
TPG200-300/4	196	31.5	33	73	51	613	1000	695	375	400	1079	315
	280	28										
	336	23										
TPG200-285/4	182	27	27	61	51	575	1000	695	375	400	1079	315
	262	24										
	312	19.5										
TPG200-250/4	210	22.2	25	56	51	524	970	606	334	360	1262	345
	300	20										
	360	14										
TPG200-235/4	196	18	18.5	45	48	453	970	606	334	360	1158	345
	280	16										
	336	11.2										
TPG200-220/4	182	14.6	15	36	48	438	970	606	334	360	1158	345
	262	13										
	312	9										
TPG200-200/4	210	13.4	17	41	48	446	970	606	334	360	1158	345
	300	12.5										
	360	10.5										
TPG200-185/4	196	10.3	13	32	48	427	970	606	334	360	1158	345
	286	10										
	336	8.5										

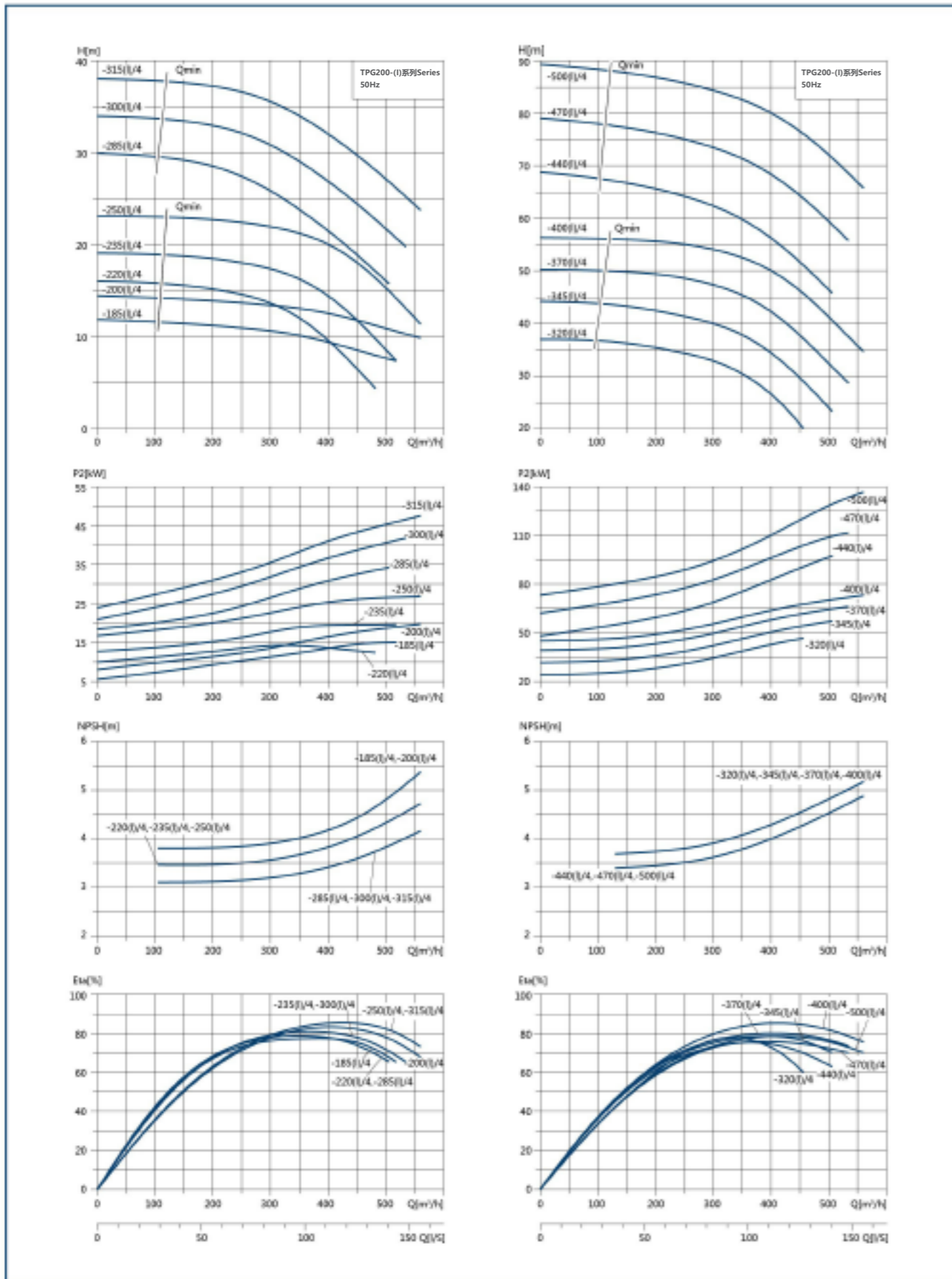
注：以上所列参数为典型点取样参数，详细数据请参考左侧性能曲线。

Note: The parameters listed above are typical point sampling parameters. For detailed data, please refer to the characteristic curve on the left.

## 外观尺寸图 Dimension Figure



## 性能曲线 Characteristic Curves



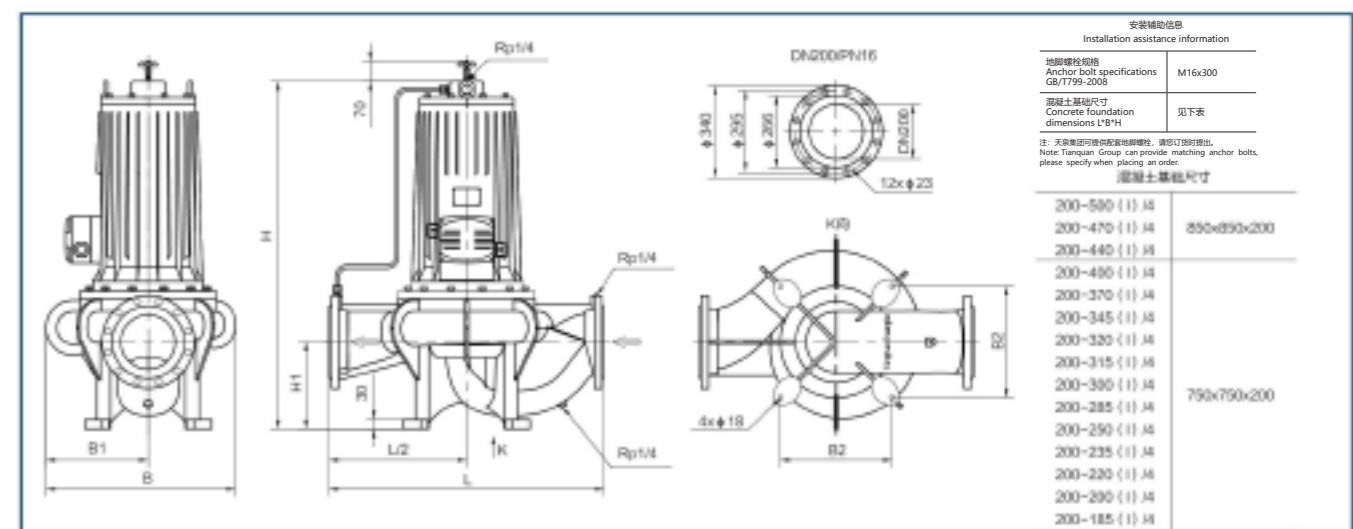
## 性能参数 Parameters Table

## 尺寸 Dimension

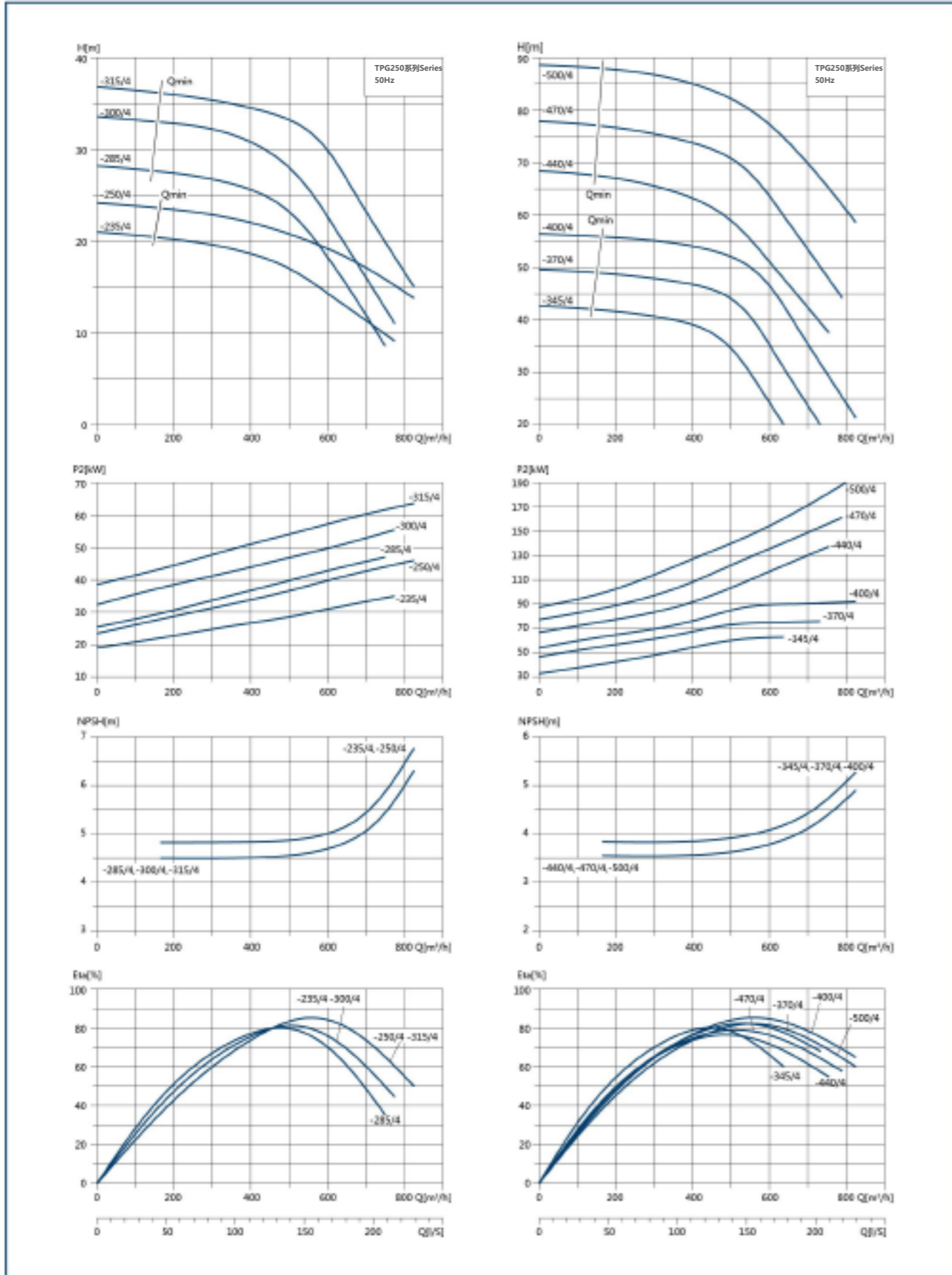
型号 Model	流量Q	扬程H	功率P	电流	噪声	重量	长度	宽度 Width			高度 Height	
	m³/h	m	kW	A	dB(A)	kg	L	B	B1	B2	H	H1
TPG200-500(I)/4	280	85	132	296	58	1531	1100	840	458	500	1582	315
	400	80										
	520	70										
TPG200-470(I)/4	262	74.4	110	256	56	1310	1100	817	435	500	1468	315
	374	70										
	486	61.2										
TPG200-440(I)/4	242	63.8	90	202	56	1260	1100	817	435	500	1468	315
	346	60										
	450	52.5										
TPG200-400(I)/4	280	54.5	80	178	56	1197	1070	767	435	400	1468	315
	400	50										
	520	39										
TPG200-370(I)/4	262	48	70	156	56	1186	1070	767	435	400	1468	315
	374	44										
	486	34										
TPG200-345(I)/4	242	41.4	55	124	54	681	1000	755	435	400	1272	315
	346	38										
	450	29.6										
TPG200-320(I)/4	224	34.9	45	103	54	659	1000	755	435	400	1272	315
	320	32										
	416	25										
TPG200-315(I)/4	280	36	50	114	54	669	1000	755	435	400	1272	315
	400	32										
	520	26										
TPG200-300(I)/4	262	31.5	45	103	54	659	1000	755	435	400	1272	315
	374	28										
	486	23										
TPG200-285(I)/4	242	27	37	83	51	647	1000	695	375	400	1235	315
	346	24										
	450	19.5										
TPG200-250(I)/4	280	22.2	30	66	51	547	970	606	334	360	1262	345
	400	20										
	520	14										
TPG200-235(I)/4	250	18	22	51	51	506	970	606	334	360	1262	345
	358	16										
	465	11.2										
TPG200-220(I)/4	226	14.4	18.5	45	48	453	970	606	334	360	1158	345
	322	13										
	419	7.3										
TPG200-200(I)/4	280	13.4	20	48	51	495	970	606	334	360	1262	345
	400	12.5										
	520	10.5										
TPG200-185(I)/4	250	11.2	17	41	48	446	970	606	334	360	1158	345
	358	10										
	465	8.5										

注：以上所列参数为典型点取样参数，详细数据请参考左侧性能曲线。  
 Note: The parameters listed above are typical point sampling parameters. For detailed data, please refer to the characteristic curve on the left.

## 外观尺寸图 Dimension Figure



## 性能曲线 Characteristic Curves



## 性能参数 Parameters Table

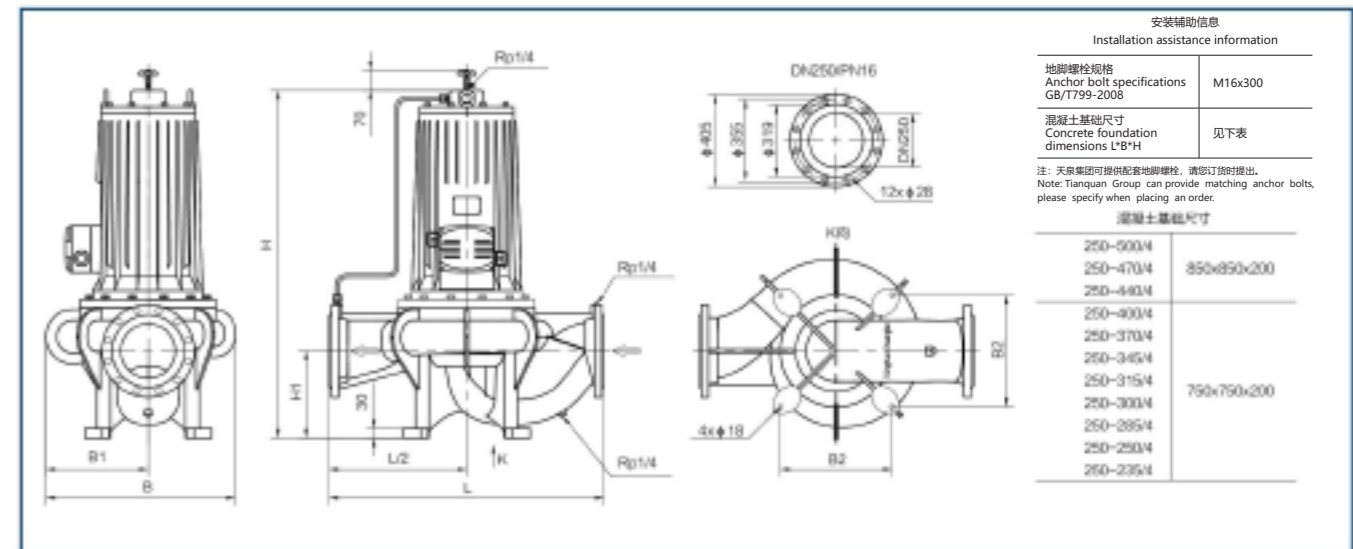
## 尺寸 Dimension

型号 Model	流量Q	扬程H	功率P	电流 Current	噪声 Noise	重量 weight	长度 Length	宽度 Width			高度 Height	
	m³/h	m	kW	A	dB(A)	kg	L	B	B1	B2	H	H1
TPG250-500/4	400	85	180	397	58	1275	1300	853	458	500	1617	340
	550	80										
	660	73										
TPG250-470/4	375	74	150	334	58	1149	1300	853	458	500	1617	340
	515	70										
	620	61.2										
TPG250-440/4	350	64	125	278	58	1080	1300	853	458	500	1617	340
	480	60										
	580	52.5										
TPG250-400/4	400	54	110	256	56	934	1200	780	435	400	1503	340
	550	50										
	660	40										
TPG250-370/4	365	47	90	202	56	884	1200	780	435	400	1503	340
	500	44										
	500	35										
TPG250-345/4	336	40	70	156	56	804	1200	780	435	400	1503	340
	460	37										
	552	30										
TPG250-315/4	400	34.5	70	156	56	804	1200	780	435	400	1503	340
	550	32										
	660	26										
TPG250-300/4	365	31.5	55	124	54	760	1120	652	355	400	1367	385
	500	28										
	600	23										
TPG250-285/4	345	26.5	45	103	54	738	1120	652	355	400	1367	385
	475	24										
	570	20										
TPG250-250/4	400	22	45	103	54	738	1120	652	355	400	1367	385
	550	20										
	660	18										
TPG250-235/4	365	19	37	83	51	727	1120	652	355	400	1330	385
	500	17										
	500	14										

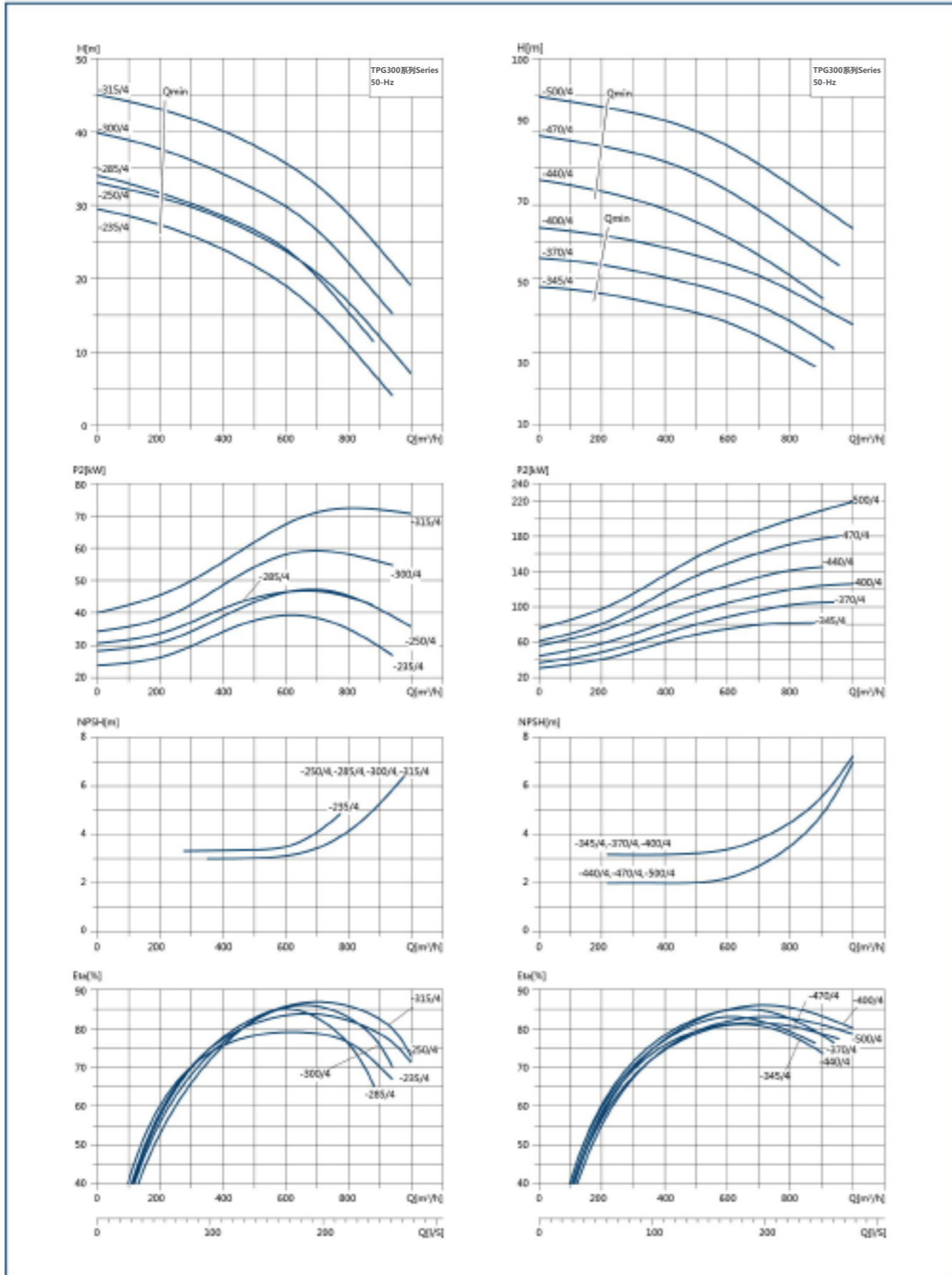
注：以上所列参数为典型点取样参数，详细数据请参考左侧性能曲线。

Note: The parameters listed above are typical point sampling parameters. For detailed data, please refer to the characteristic curve on the left.

## 外观尺寸图 Dimension Figure



## 性能曲线 Characteristic Curves



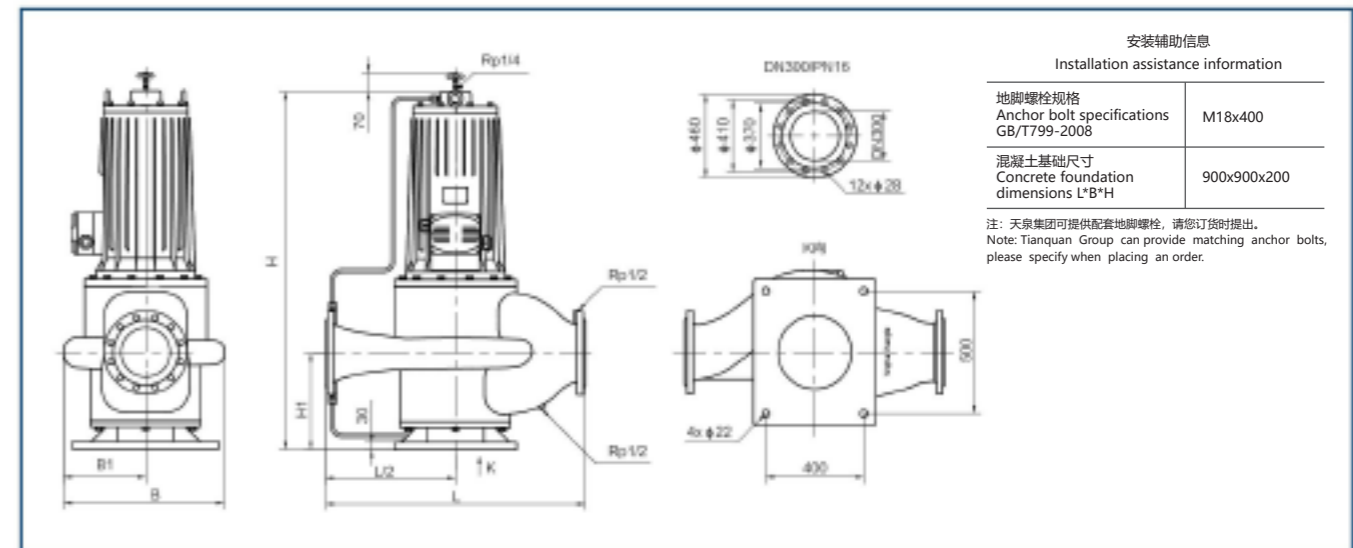
## 性能参数 Parameters Table

## 尺寸 Dimension

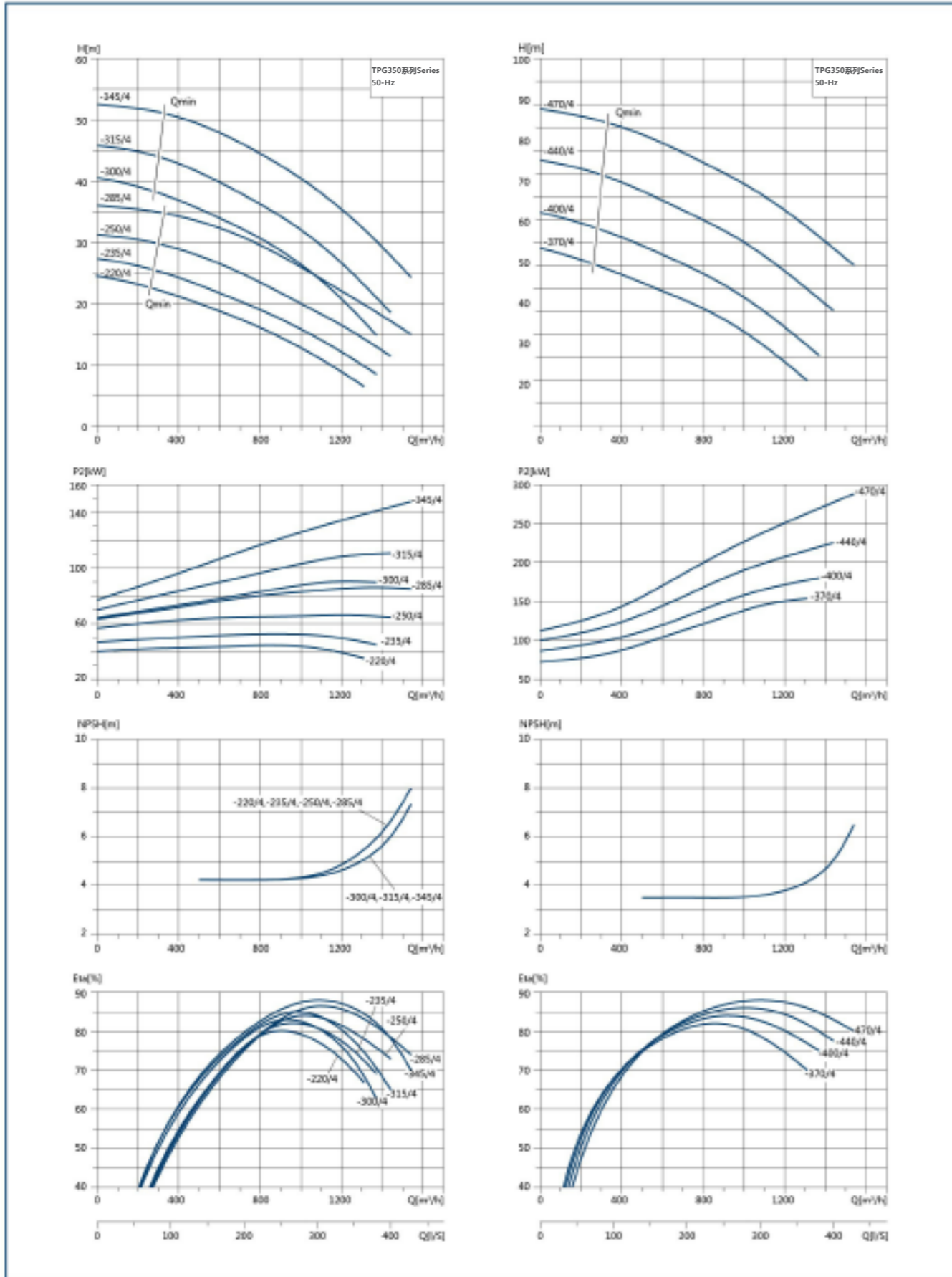
型号 Model	流量Q	扬程H	功率P	电流 Current	噪声 Noise	重量 weight	长度 Length	宽度 width		高度 Height	
	m³/h	m	kW	A	dB(A)	kg	L	B	B1	H	H1
TPS300-500/4	504	90	220	483	59	2578	1300	895	540	1953	455
	720	80									
	900	69									
TPS300-470/4	473	79	180	397	58	2178	1300	813	458	1887	455
	675	70									
	844	60.5									
TPS300-440/4	438	67.5	150	334	58	2052	1300	813	458	1887	455
	625	60									
	781	52									
TPS300-400/4	504	56	132	296	58	1853	1200	786	458	1887	455
	720	50									
	900	42									
TPS300-370/4	462	49	110	256	56	1631	1200	763	435	1773	455
	560	44									
	325	37									
TPS300-345/4	420	42	90	202	56	1580	1200	763	435	1773	455
	600	38									
	750	32									
TPS300-315/4	504	38	90	202	56	1496	1150	735	435	1773	455
	720	32									
	900	24									
TPS300-300/4	462	33	70	156	56	1417	1150	735	435	1773	455
	660	28									
	325	21									
TPS300-285/4	420	28	55	124	54	1094	1150	655	355	1603	455
	600	24									
	750	18									
TPS300-250/4	504	26	55	124	54	1094	1150	655	355	1603	455
	720	20									
	900	12									
TPS300-235/4	462	22.5	45	103	54	1072	1150	655	355	1603	455
	560	17									
	325	9.5									

注：以上所列参数为典型点取样参数，详细数据请参考左侧性能曲线。  
Note: The parameters listed above are typical point sampling parameters. For detailed data, please refer to the characteristic curve on the left.

## 外观尺寸图 Dimension Figure



## 性能曲线 Characteristic Curves



## 性能参数 Parameters Table

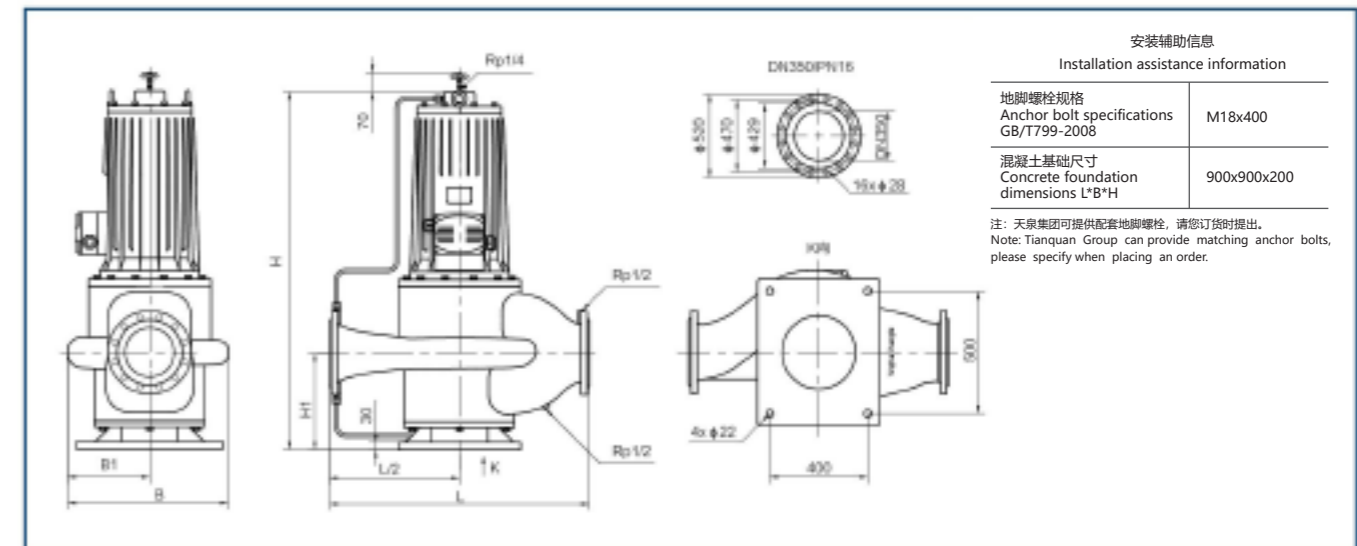
## 尺寸 Dimension

型号 Model	流量Q	扬程H	功率P	电流 Current	噪声 Noise	重量 weight	长度 Length	宽度 width		高度 Height	
	m³/h	m	kW	A	dB(A)	kg	L	B	B1	H	H1
TPS350-470/4	770	78	280	620	60	3137	1400	985	610	2225	480
	1100	70									
	1375	61									
TPS350-440/4	700	67	220	483	59	2675	1400	915	540	2006	480
	1000	60									
	1250	52									
TPS350-400/4	651	56	180	397	58	2274	1400	833	458	1940	480
	930	50									
	1163	43									
TPS350-370/4	509	49	150	334	58	2149	1400	833	458	1940	480
	870	44									
	1088	38									
TPS350-345/4	770	45	150	334	58	2057	1300	786	458	1940	480
	1100	38									
	1375	30									
TPS350-315/4	700	38	125	278	58	1987	1300	786	458	1940	480
	1000	32									
	1250	25									
TPS350-300/4	651	33	100	229	56	1778	1300	763	435	1826	480
	930	28									
	1163	22									
TPS350-285/4	770	30	100	229	56	1661	1280	735	435	1826	480
	1100	24									
	1375	18.5									
TPS350-250/4	700	25	75	166	56	1577	1280	735	435	1826	480
	1000	20									
	1250	15.5									
TPS350-235/4	651	21	63	141	56	1521	1280	735	435	1826	480
	930	17									
	1163	13									
TPS350-220/4	609	18.5	50	114	54	1219	1280	705	405	1656	480
	870	15									
	1088	11.5									

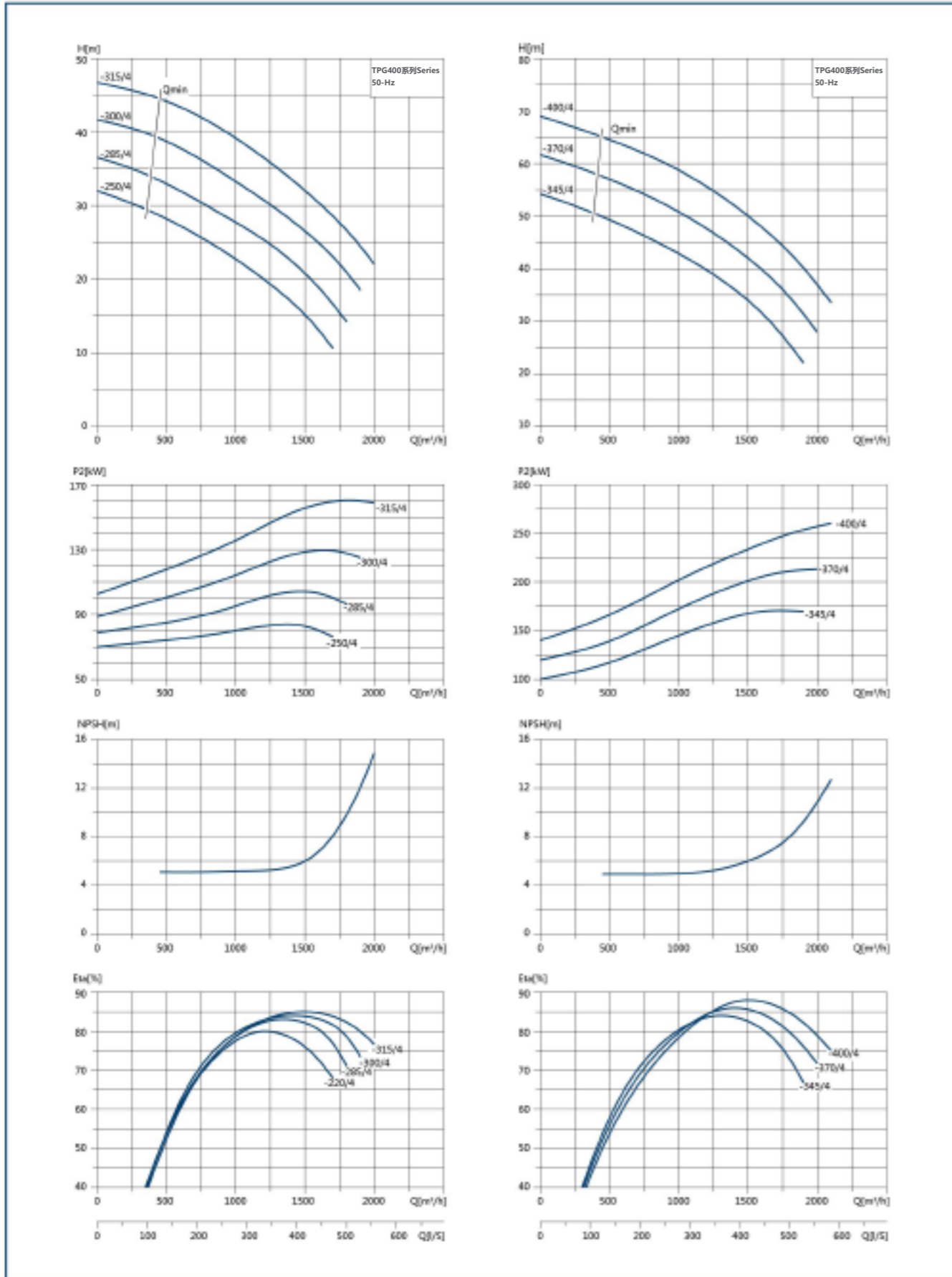
注：以上所列参数为典型点取样参数，详细数据请参考左侧性能曲线。

Note: The parameters listed above are typical point sampling parameters. For detailed data, please refer to the characteristic curve on the left.

## 外观尺寸图 Dimension Figure



## 性能曲线 Characteristic Curves



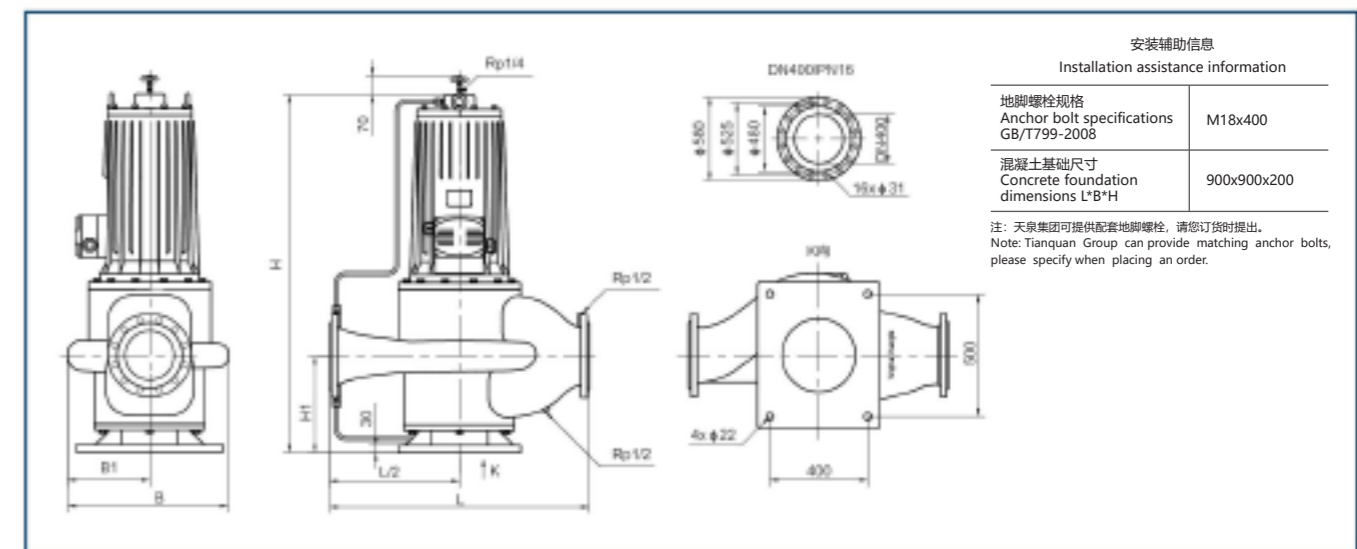
## 性能参数 Parameters Table

## 尺寸 Dimension

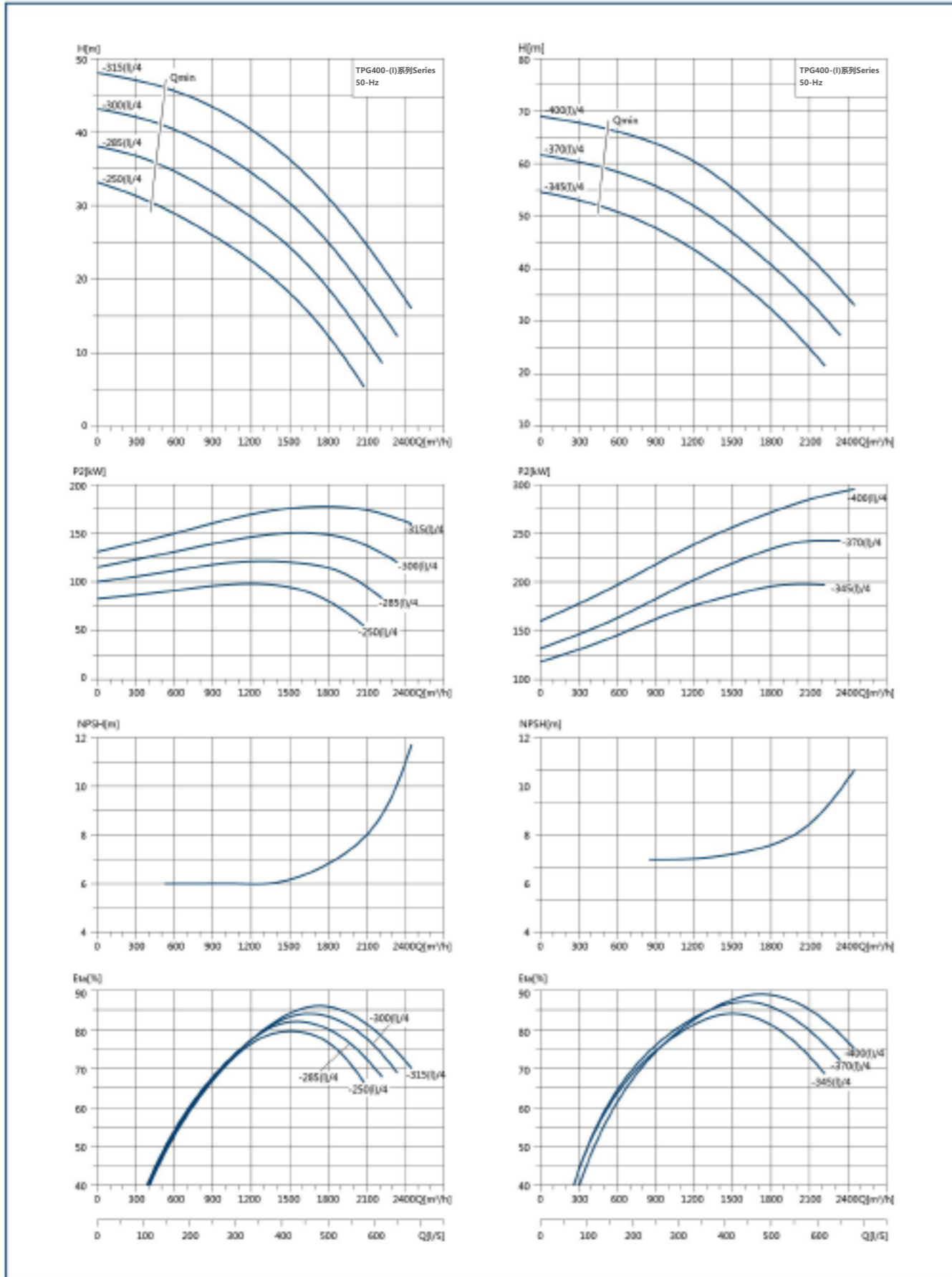
型号 Model	流量Q	扬程H	功率P	电流 Current	噪声 Noise	重量 weight	长度 Length	宽度 width		高度 Height	
	m³/h	m	kW	A	dB(A)	kg	L	B	B1	H	H1
TPS400-400/4	1050	58	265	587	60	3336	1600	985	610	2225	480
	1500	50									
	1875	41									
TPS400-370/4	980	51	220	483	59	2981	1600	915	540	2006	480
	1400	44									
TPS400-345/4	910	44	180	397	58	2580	1600	833	458	1940	480
	1300	38									
TPS400-315/4	1050	38.5	160	353	58	2398	1500	786	458	1940	480
	1500	32									
	1875	25									
TPS400-300/4	980	33.5	132	296	58	2321	1500	786	458	1940	480
	1400	28									
	1750	22									
TPS400-285/4	910	28.5	110	256	56	2099	1500	778	450	1826	480
	1300	24									
	1625	18.5									
TPS400-250/4	840	24.5	90	202	56	2048	1500	778	450	1826	480
	1200	20									
	1500	15.5									

注：以上所列参数为典型点取样参数，详细数据请参考左侧性能曲线。  
 Note: The parameters listed above are typical point sampling parameters. For detailed data, please refer to the characteristic curve on the left.

## 外观尺寸图 Dimension Figure



## 性能曲线 Characteristic Curves



## 性能参数 Parameters Table

## 尺寸 Dimension

型号 Model	流量Q	扬程H	功率P	电流 Current	噪声 Noise	重量 weight	长度 Length	宽度Width		高度Height	
	m/h	m	kW	A	dB(A)	kg	L	B	B1	H	H1
TPS400-400(I)/4	1225	60	315	698	60	3656	1600	985	610	2225	480
	1750	50									
	2188	40									
TPS400-370(I)/4	1148	52.5	265	587	60	3336	1600	985	610	2225	480
	1640	44									
	2050	35									
TPS400-345(I)/4	1064	45.5	220	483	59	2981	1600	915	540	2006	480
	1520	38									
	1900	30									
TPS400-315(I)/4	1225	40	180	397	58	2481	1500	786	458	1940	480
	1750	32									
	2188	22.5									
TPS400-300(I)/4	1148	35	160	353	58	2398	1500	786	458	1940	480
	1640	28									
	2050	19.5									
TPS400-285(I)/4	1064	30	132	296	58	2321	1500	786	458	1826	480
	1520	24									
	1900	16.5									
TPS400-250(I)/4	966	25	100	229	56	2077	1500	778	450	1826	480
	1380	20									
	1725	14									

注：以上所列参数为典型点取样参数，详细数据请参考左侧性能曲线。

Note: The parameters listed above are typical point sampling parameters. For detailed data, please refer to the characteristic curve on the left.

## 外观尺寸图 Dimension Figure

